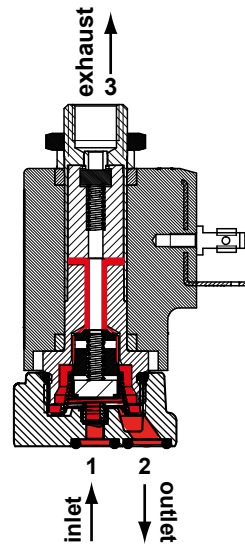


direct operated solenoid valves

coil 31 mm

general information	
ambient temperature	- 10°C to + 50°C
response time	6 - 18 ms
mounting	in any position
standard seal materials*	NBR, FPM, EPDM*
dimensions	see page 2/4
coil data	see page 2/4
connector data	see page 2/4
sub-base	see page 3/4 and 4/4



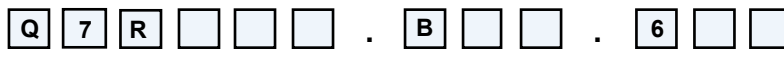
with push-magnet operator

* other seal materials on request

function	symbol	orif. mm	*Kv	pressure range (bar)			nominal power		TABLE A	
				min.	max. DC	max. AC	Watt DC	V.A. AC		main code
								inr.	hol	
2/2 normally open (NO) 	0.8	0.5	0	-	60	-	21.5	13.5	Q7R208	
	0.8	0.5	0	60	-	10	-	-	Q7R708	
	1.2	1.3	0	-	45	-	21.5	13.5	Q7R212	
	1.2	1.3	0	45	-	10	-	-	Q7R712	
	1.6	1.7	0	-	25	-	21.5	13.5	Q7R216	
	1.6	1.7	0	25	-	10	-	-	Q7R716	
	2.0	3.0	0	-	16	-	21.5	13.5	Q7R220	
	2.0	3.0	0	16	-	10	-	-	Q7R720	
	2.4	3.5	0	-	10	-	21.5	13.5	Q7R224	
	2.4	3.5	0	10	-	10	-	-	Q7R724	
	3.0	4.5	0	-	7	-	21.5	13.5	Q7R230	
	3.0	4.5	0	7	-	10	-	-	Q7R730	

*l/min. of water with ΔP of 1 bar

order code



main code
see table A on this page

seals	
code	material
B	NBR
V	FPM
E	EPDM
L	BT4

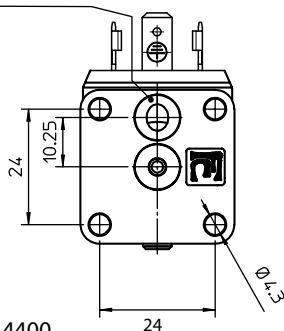
manual override	
code	type
0	none

coil code
see table B on page 2/2

direct operated solenoid valves

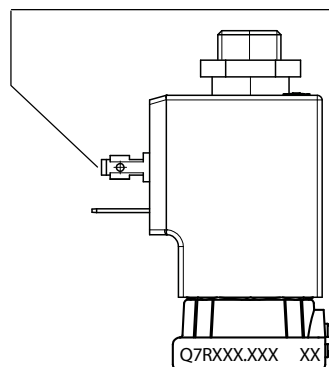
coil 31 mm

N°2 cavity for OR Ø6,07X1,78



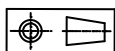
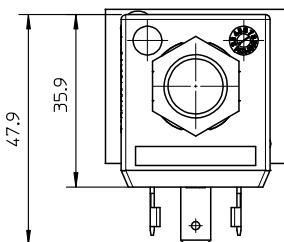
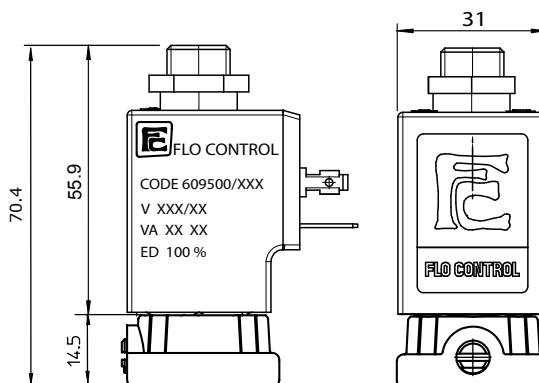
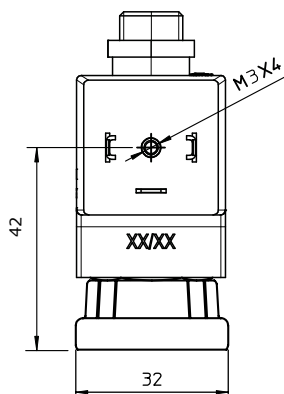
with push-magnet operator

Terminals for connector DIN 43650-A/ISO 4400



Catalog number

Production date



weight	280 g
--------	-------

coil code	TABLE B			
	*voltages	code		
		~ 50 Hz	~ 60 Hz	= DC
	12	-	-	666
	24	611	644	671
	48	616	-	676
	110	621	-	681
	115	-	653	-
	220	631	-	-
	230	638	659	-
	380	640	-	-

coil specification	
wire insulation	class H180° C
encapsulation	class F155° C
encapsulation mat.	nylon
energising duration	100% at +20° C ambient
voltage tolerance	- 10% +15% of nominal voltage
*power consumption	AC 13,5 VA - DC 10 Watt
electrical connection	DIN 43650/A (2P+ earth)
cable connection	Pg 9 (for cable dia. 6-8mm)
protection class	IP 65 (with connector)

* other voltages and wattages on request

connector (not included, must be ordered separately)

code	Z10031
------	--------

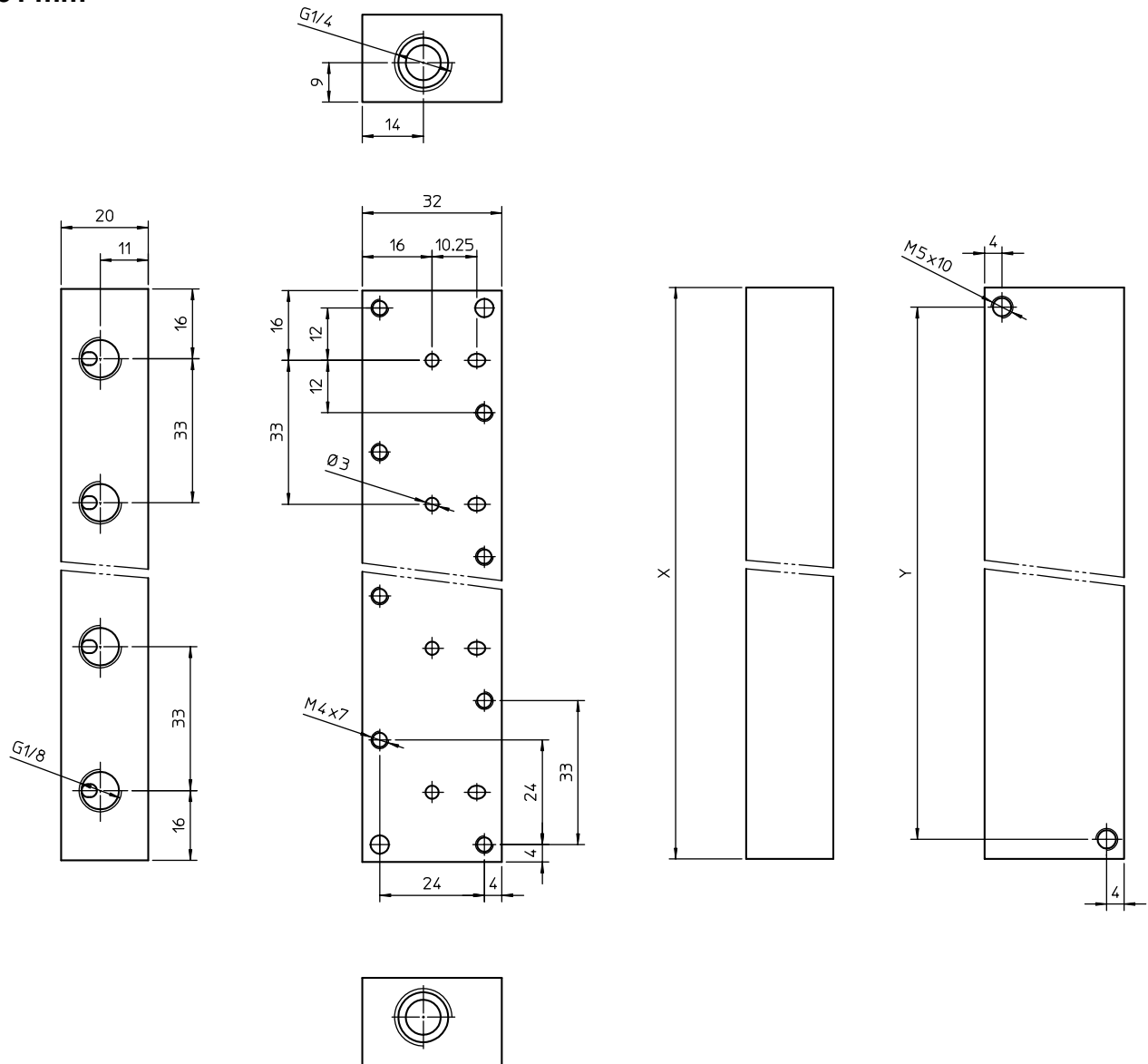
FLO CONTROL

Solenoid Valves



direct operated solenoid valves

coil 31 mm

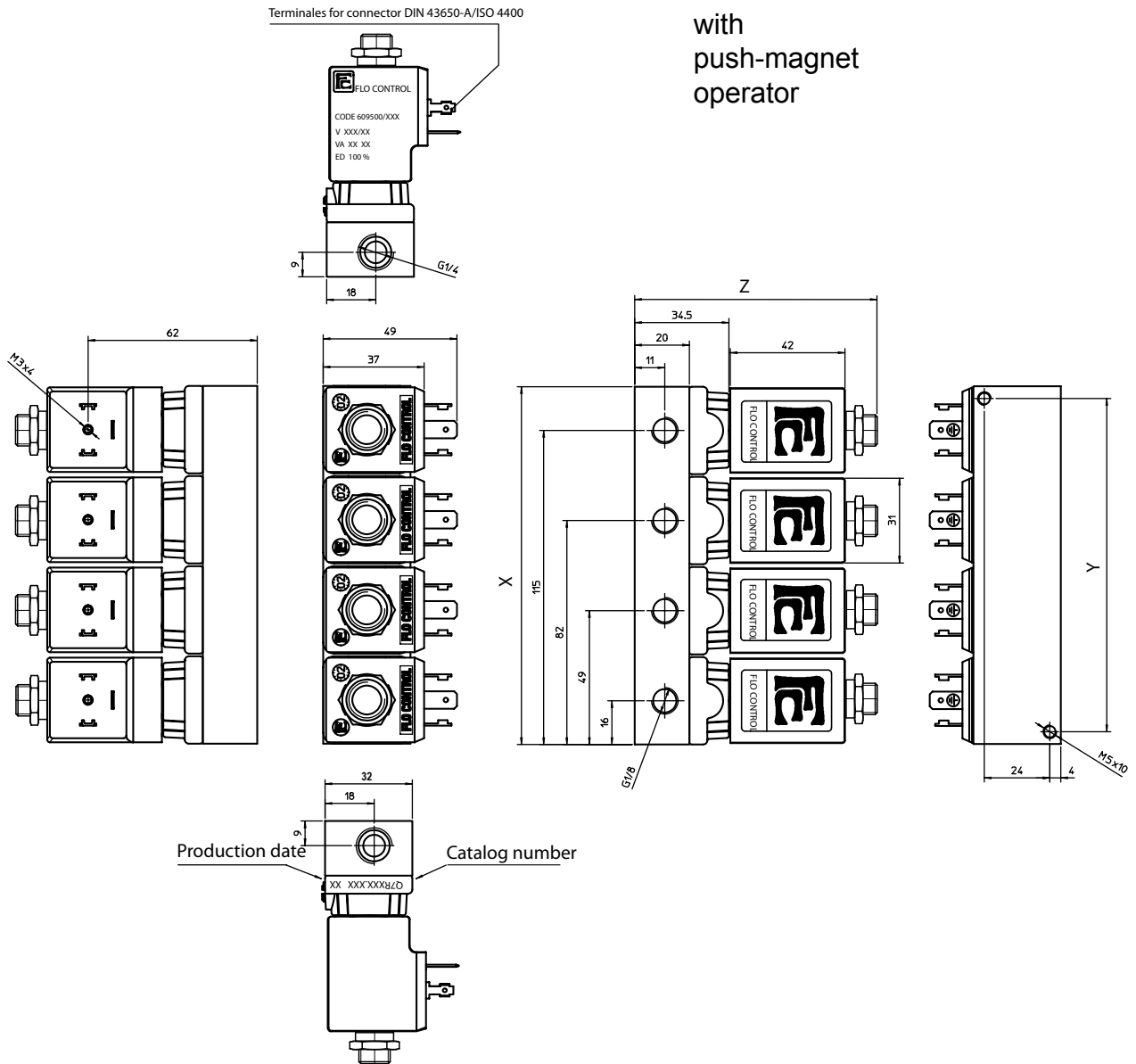


order code	stations	X (mm)	Y (mm)	weight (g)
ZZ11.Q1.38B	1	32	24	135
ZZ11.Q2.38B	2	65	57	285
ZZ11.Q3.38B	3	98	90	435
ZZ11.Q4.38B	4	131	123	585
ZZ11.Q5.38B	5	164	156	735
ZZ11.Q6.38B	6	197	189	890

-M4 screws order code Z11035 (two each valves station) must be ordered separately

direct operated solenoid valves

coil 31 mm



dimensions assembled manifolds

order code	stations	X (mm)	Y (mm)	Z (mm)	weight (g)
parts have to be ordered separately: valves see page 1/4 bases see page 3/4 screws see page 3/4	1	32	24	90.4	415
	2	65	57	90.4	845
	3	98	90	90.4	1275
	4	131	123	90.4	1705
	5	164	156	90.4	2135
	6	197	189	90.4	2570

FLO CONTROL

Solenoid Valves

