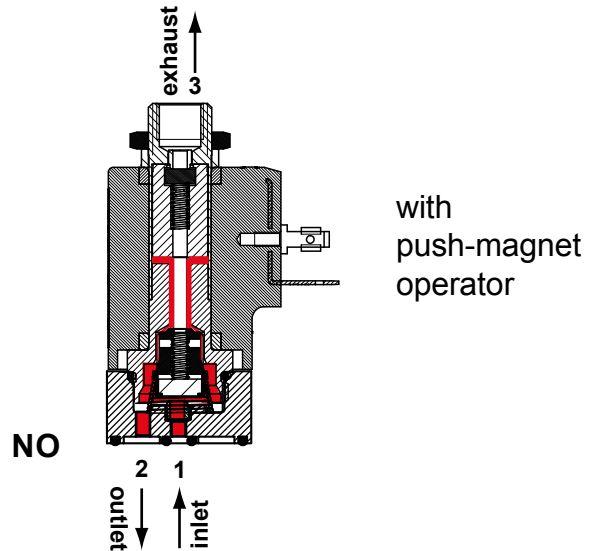


direct operated solenoid valves

coil 31 mm

general information	
ambient temperature	- 10°C to + 50°C
response time	6 - 18 ms
mounting	in any position
standard seal materials*	NBR, FPM, EPDM*
dimensions	see page 2/4
coil data	see page 2/4
connector data	see page 2/4
sub-base	see page 3/4 and 4/4

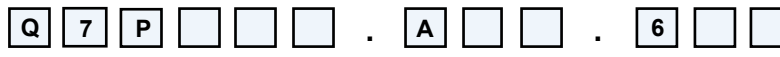


* other seal materials on request

function	symbol	orif. mm	*Kv	pressure range (bar)			nominal power		TABLE A main code	
				min.	max. DC	max. AC	Watt DC	V.A. AC		
								inr.		hol
3/2 normally open (NO) 	0.8	0.5	0	-	25	-	21.5	13.5	Q7P208	
	0.8	0.5	0	25	-	10	-	-	Q7P708	
	1.2	1.3	0	-	18	-	21.5	13.5	Q7P212	
	1.2	1.3	0	18	-	10	-	-	Q7P712	
	1.6	1.7	0	-	15	-	21.5	13.5	Q7P216	
	1.6	1.7	0	15	-	10	-	-	Q7P716	
	2.0	3.0	0	-	12	-	21.5	13.5	Q7P220	
	2.0	3.0	0	12	-	10	-	-	Q7P720	
	2.4	3.5	0	-	9	-	21.5	13.5	Q7P224	
	2.4	3.5	0	9	-	10	-	-	Q7P724	
	3.0	4.5	0	-	7.5	-	21.5	13.5	Q7P230	
	3.0	4.5	0	7.5	-	10	-	-	Q7P730	

*l/min. of water with ΔP of 1 bar

order code



main code
see table A on this page

seals	
code	material
B	NBR
V	FPM
E	EPDM
L	BT4

manual override	
code	type
0	none

coil code
see table B on page 2/4

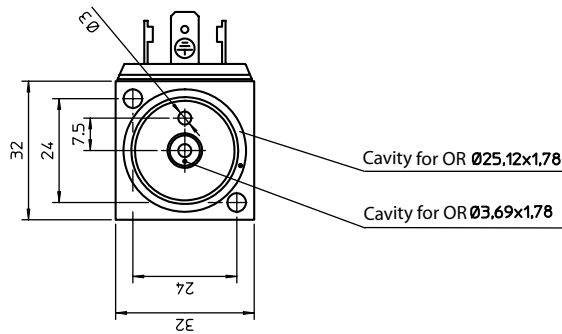
FLO CONTROL

Solenoid Valves



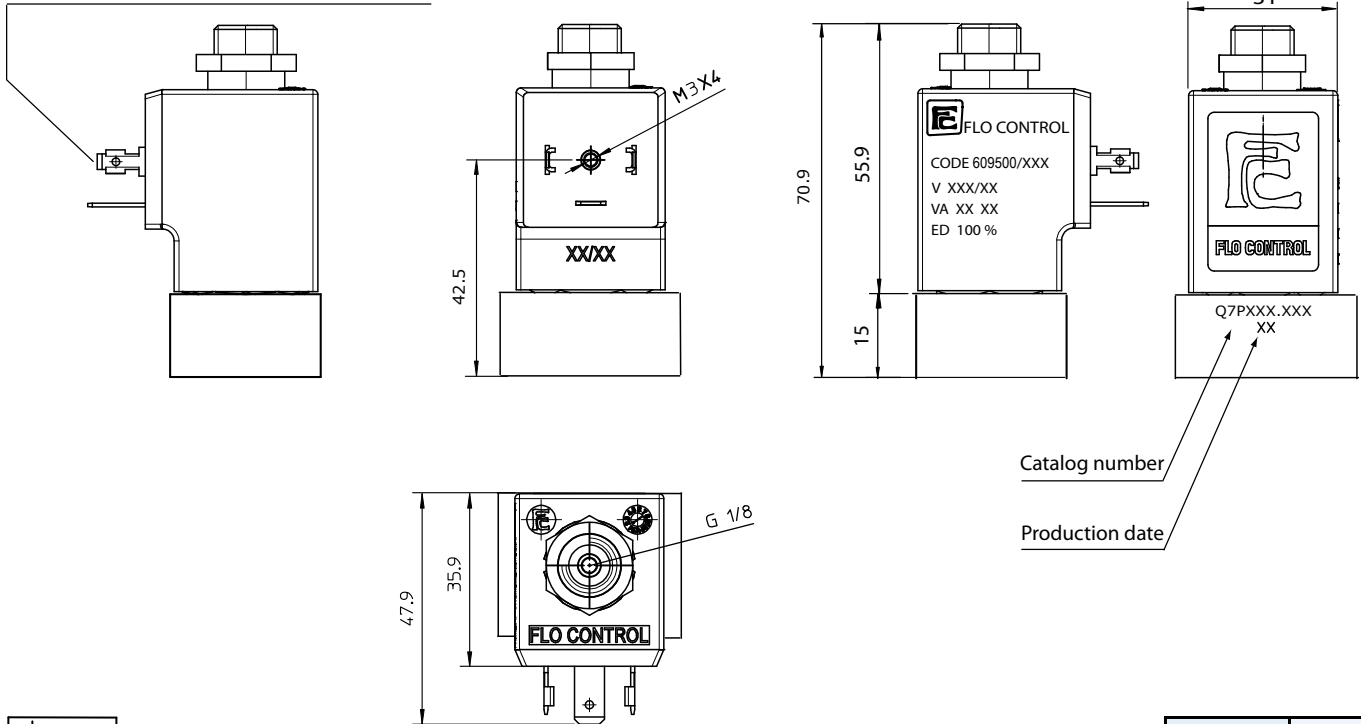
direct operated solenoid valves

coil 31 mm



with push-magnet operator

Terminals for connector DIN 43650-A/ISO 4400



Catalog number

Production date

weight 210 g

coil code	TABLE B			
	*voltages	code		
		~ 50 Hz	~ 60 Hz	= DC
12	-	-	666	
24	611	644	671	
48	616	-	676	
110	621	-	681	
115	-	653	-	
220	631	-	-	
230	638	659	-	
380	640	-	-	

coil specification	
wire insulation	class H180° C
encapsulation	class F155° C
encapsulation mat.	nylon
energising duration	100% at +20° C ambient
voltage tolerance	- 10% +15% of nominal voltage
*power consumption	AC 13,5 VA - DC 10 Watt
electrical connection	DIN 43650/A (2P+ earth)
cable connection	Pg 9 (for cable dia. 6-8mm)
protection class	IP 65 (with connector)

* other voltages and wattages on request

connector (not included, must be ordered separately)

code Z10031

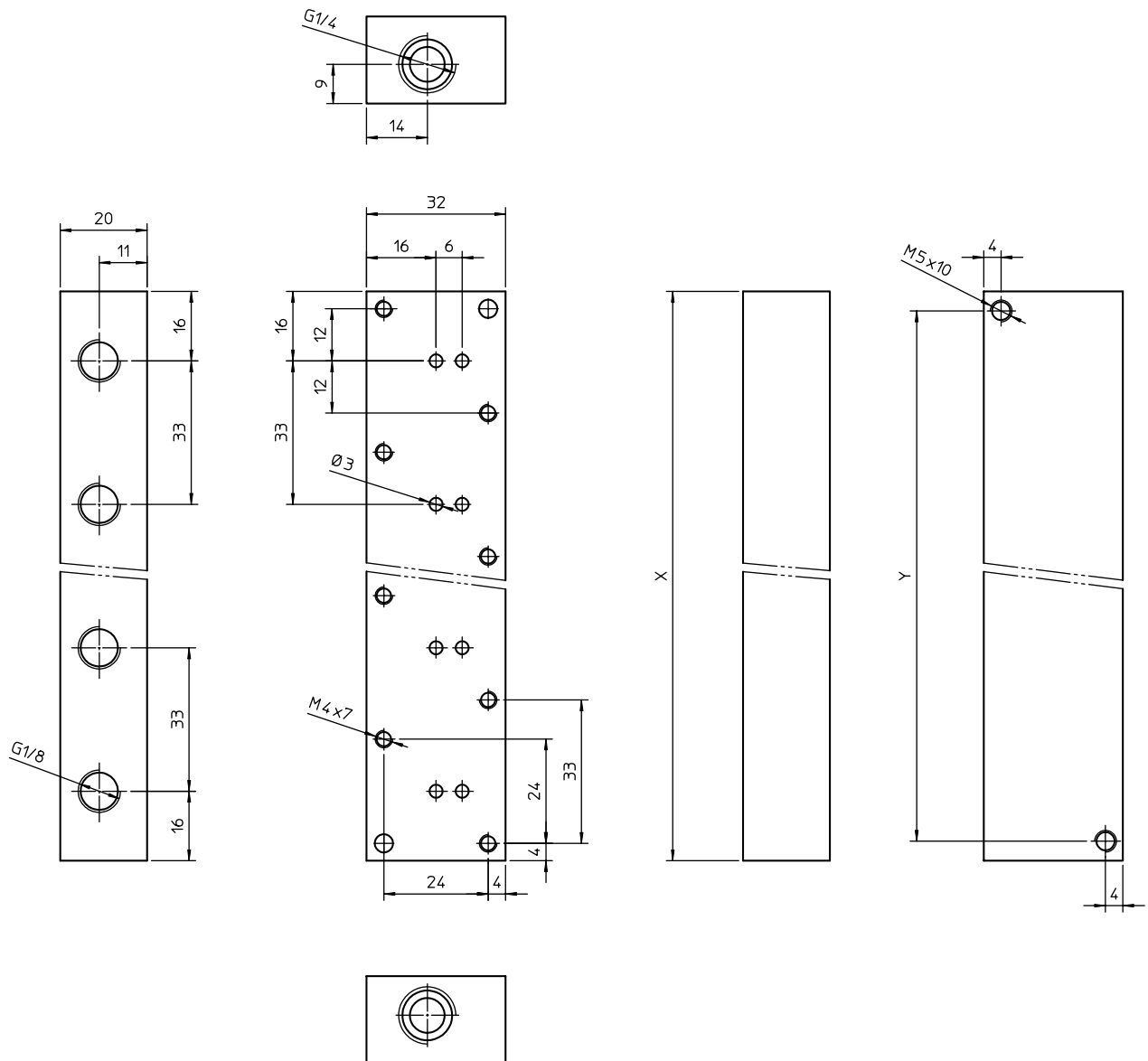
FLO CONTROL

Solenoid Valves



direct operated solenoid valves

coil 31 mm



order code	stations	X (mm)	Y (mm)	weight (g)
ZZ11.Q1.08B	1	32	24	45
ZZ11.Q2.08B	2	65	57	100
ZZ11.Q3.08B	3	98	90	150
ZZ11.Q4.08B	4	131	123	205
ZZ11.Q5.08B	5	164	156	260
ZZ11.Q6.08B	6	197	189	310

-M4 screws order code Z11030 (two each valves station) must be ordered separately

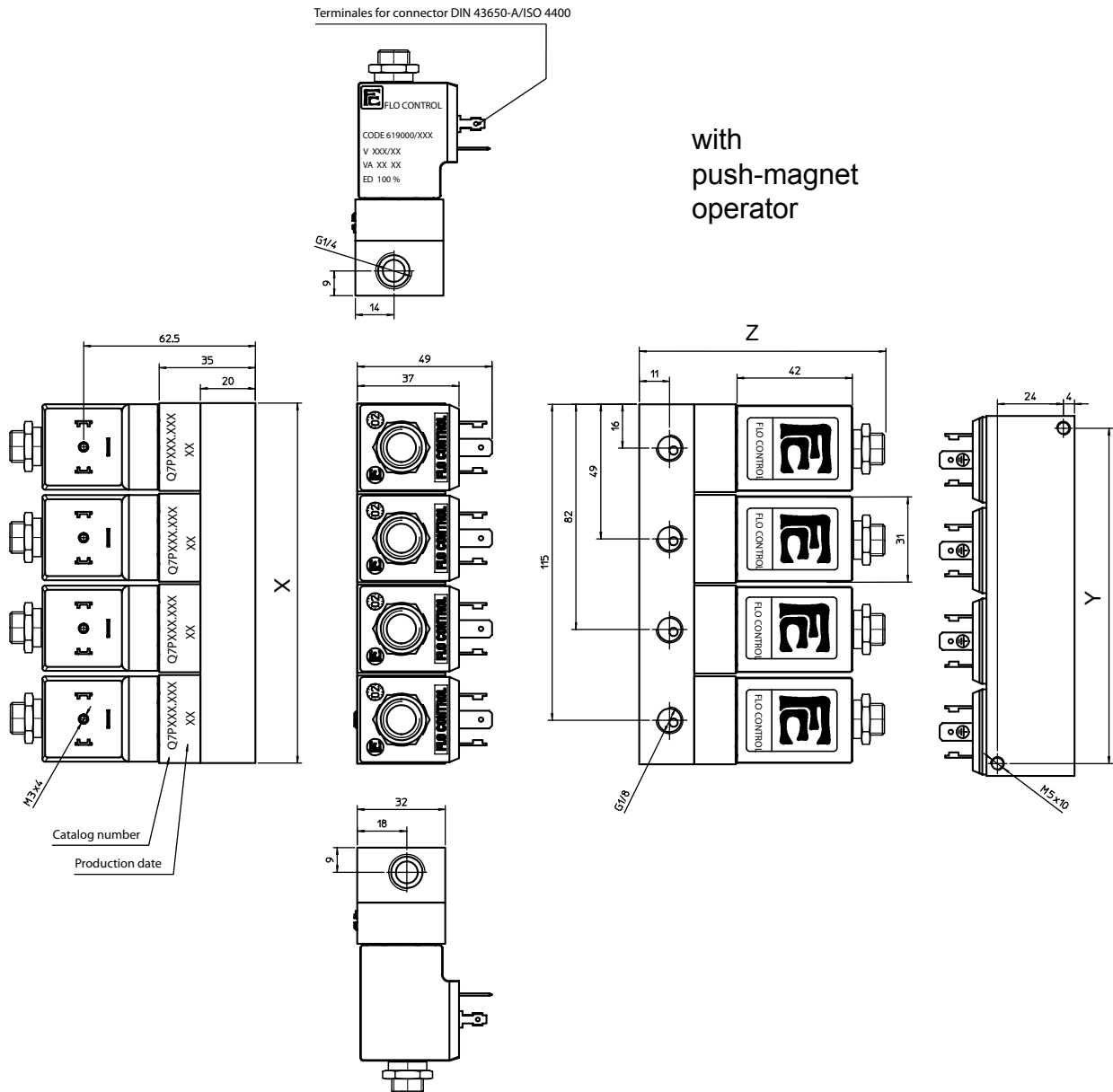
FLO CONTROL

Solenoid Valves



direct operated solenoid valves

coil 31 mm



dimensions assembled manifolds

order code	stations	X (mm)	Y (mm)	Z (mm)	weight (g)
parts have to be ordered separately: valves see page 1/4 bases see page 3/4 screws see page 3/4	1	32	24	90.9	255
	2	65	57	90.9	520
	3	98	90	90.9	780
	4	131	123	90.9	1045
	5	164	156	90.9	1310
	6	197	189	90.9	1570

FLO CONTROL

Solenoid Valves

