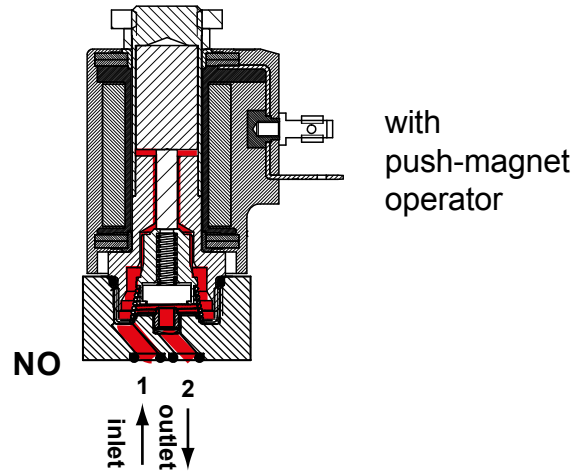


direct operated solenoid valves

coil 31 mm

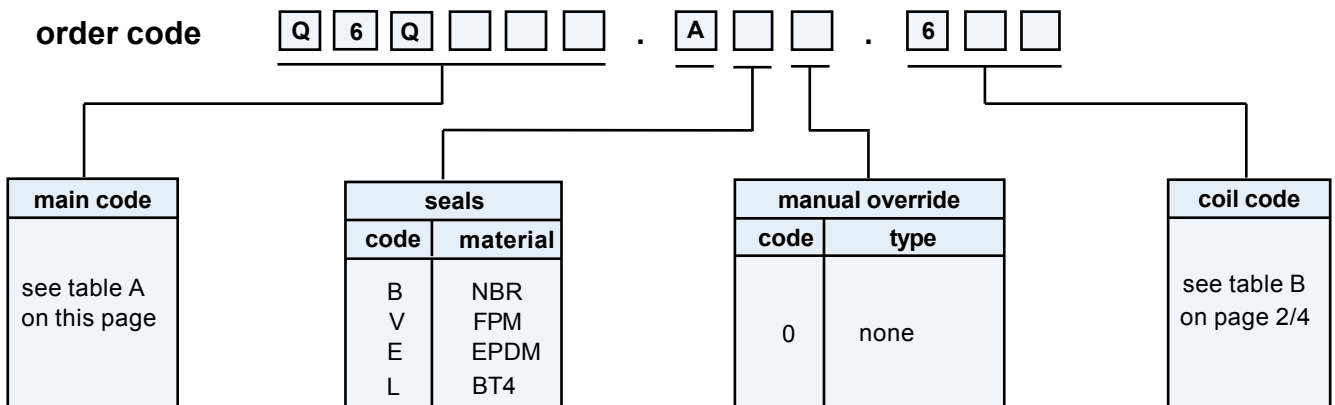
general information	
ambient temperature	- 10°C to + 50°C
response time	6 - 18 ms
mounting	in any position
standard seal materials*	NBR, FPM, EPDM*
dimensions	see page 2/4
coil data	see page 2/4
connector data	see page 2/4
sub-base	see page 3/4 and 4/4



\* other seal materials on request

function	symbol	orif. mm	*Kv	pressure range (bar)			nominal power		TABLE A main code	
				min.	max. DC	max. AC	Watt DC	V.A. AC		
								inr.		hol
<b>2/2 normally open (NO)</b> 	0.8	0.5	0	-	60	-	21.5	13.5	<b>Q6Q208</b>	
	0.8	0.5	0	60	-	10	-	-	<b>Q6Q708</b>	
	1.2	1.3	0	-	45	-	21.5	13.5	<b>Q6Q212</b>	
	1.2	1.3	0	45	-	10	-	-	<b>Q6Q712</b>	
	1.6	1.7	0	-	25	-	21.5	13.5	<b>Q6Q216</b>	
	1.6	1.7	0	25	-	10	-	-	<b>Q6Q716</b>	
	2.0	3.0	0	-	16	-	21.5	13.5	<b>Q6Q220</b>	
	2.0	3.0	0	16	-	10	-	-	<b>Q6Q720</b>	
	2.4	3.5	0	-	10	-	21.5	13.5	<b>Q6Q224</b>	
	2.4	3.5	0	10	-	10	-	-	<b>Q6Q724</b>	
	3.0	4.5	0	-	7	-	21.5	13.5	<b>Q6Q230</b>	
	3.0	4.5	0	7	-	10	-	-	<b>Q6Q730</b>	
	4.0	7.5	0	-	3.5	-	21.5	13.5	<b>Q6Q240</b>	
	4.0	7.5	0	3.5	-	10	-	-	<b>Q6Q740</b>	

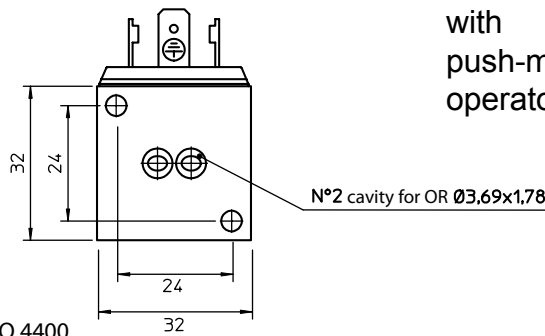
\*l/min. of water with ΔP of 1 bar



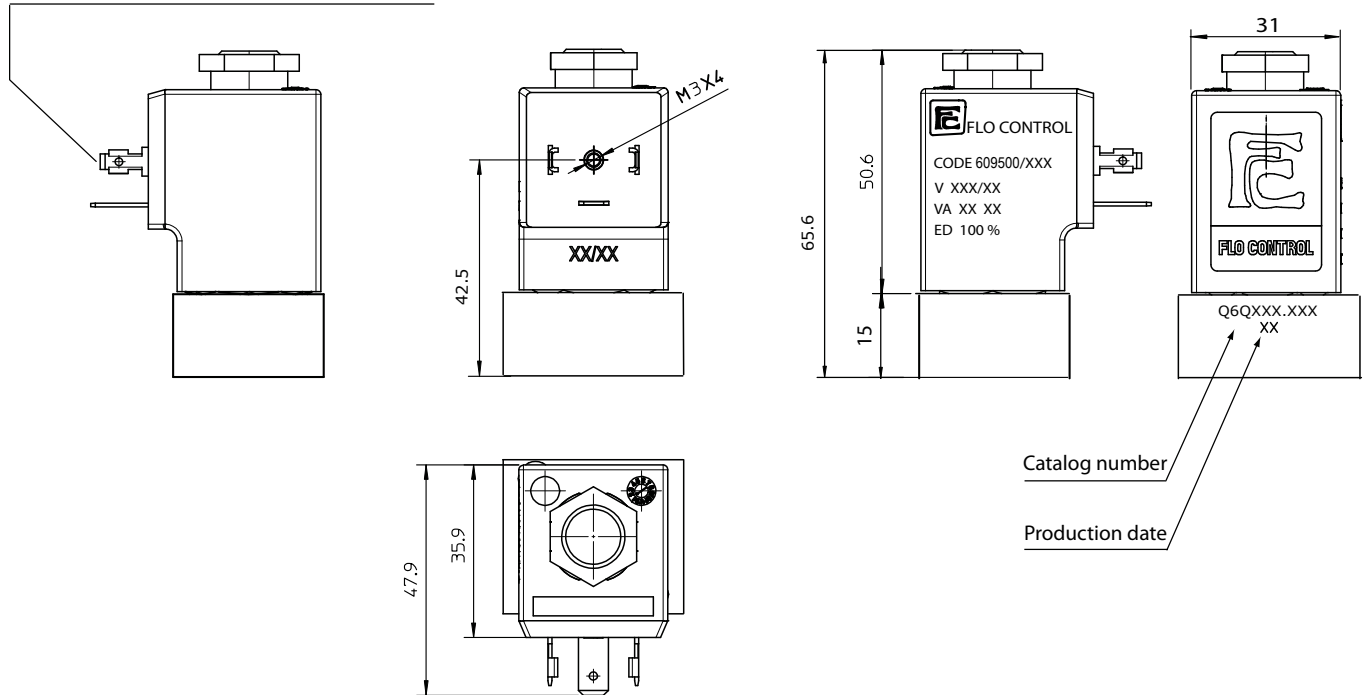
direct operated solenoid valves

coil 31 mm

with  
push-magnet  
operator

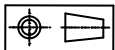


Terminales for connector DIN 43650-A/ISO 4400



Catalog number

Production date



<b>weight</b>	215 g
---------------	-------

coil code	TABLE B			
	*voltages	code		
		~ 50 Hz	~ 60 Hz	= DC
	12	-	-	666
	24	611	644	671
	48	616	-	676
	110	621	-	681
	115	-	653	-
	220	631	-	-
	230	638	659	-
	380	640	-	-

coil specification	
wire insulation	class H180° C
encapsulation	class F155° C
encapsulation mat.	nylon
energising duration	100% at +20° C ambient
voltage tolerance	- 10% +15% of nominal voltage
*power consumption	AC 13,5 VA - DC 10 Watt
electrical connection	DIN 43650/A (2P+ earth)
cable connection	Pg 9 (for cable dia. 6-8mm)
protection class	IP 65 (with connector)

\* other voltages and wattages on request

connector (not included, must be ordered separately)

<b>code</b>	Z10031
-------------	--------

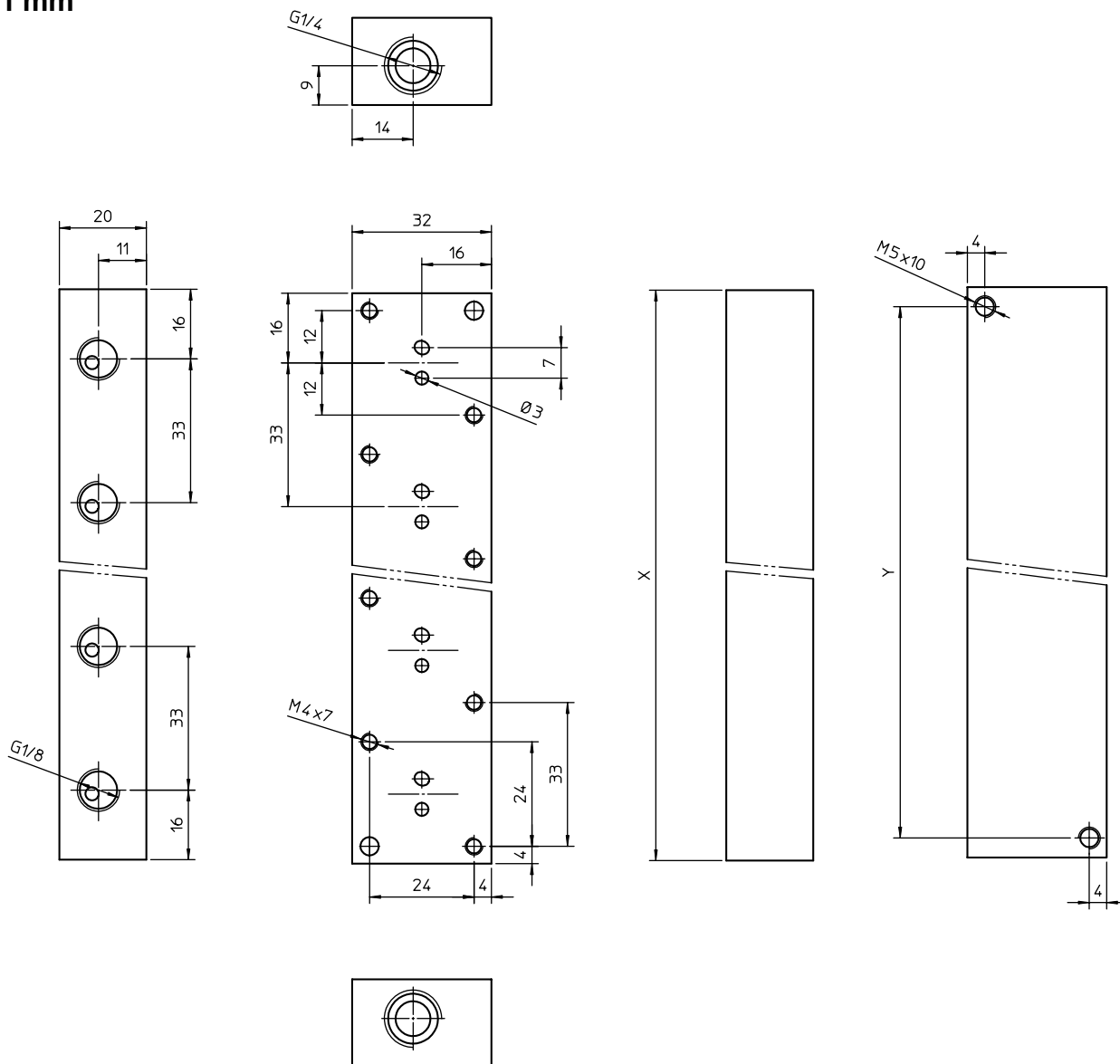
**FLO CONTROL**

Solenoid Valves



direct operated solenoid valves

coil 31 mm



order code	stations	X (mm)	Y (mm)	weight (g)
ZZ11.Q1.08A	1	32	24	45
ZZ11.Q2.08A	2	65	57	100
ZZ11.Q3.08A	3	98	90	150
ZZ11.Q4.08A	4	131	123	205
ZZ11.Q5.08A	5	164	156	260
ZZ11.Q6.08A	6	197	189	310

-M4 screws order code Z11030 (two each valves station) must be ordered separately

**FLO CONTROL**

Solenoid Valves



