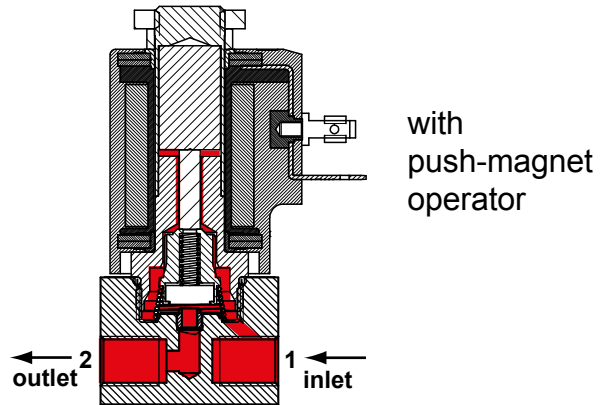


direct operated solenoid valves

coil 31 mm

general information	
ambient temperature	- 10°C to + 50°C
response time	6 - 18 ms
mounting	in any position
standard seal materials*	NBR, FPM, EPDM, BT4
dimensions	see page 2/2
coil data	see page 2/2
connector data	see page 2/2

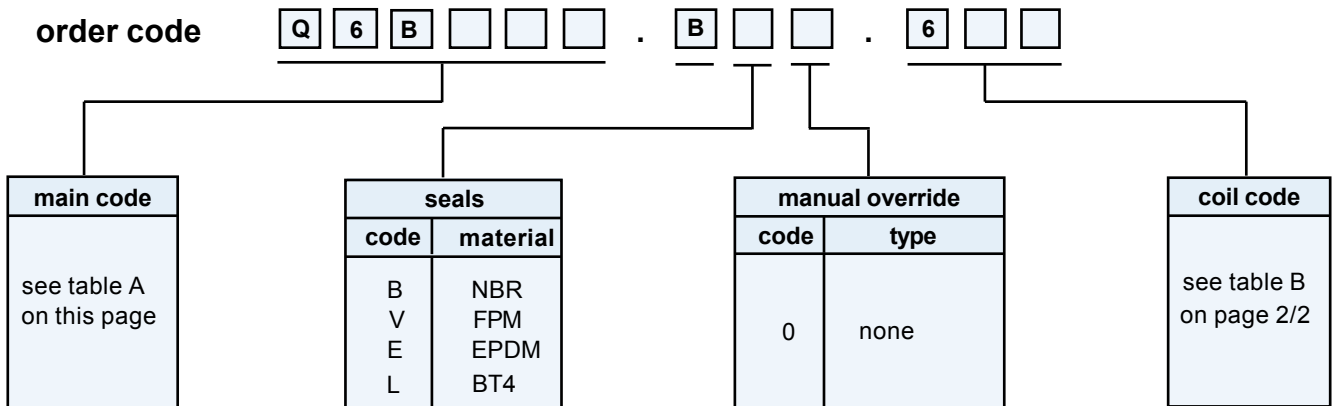


* other seal materials on request

NO

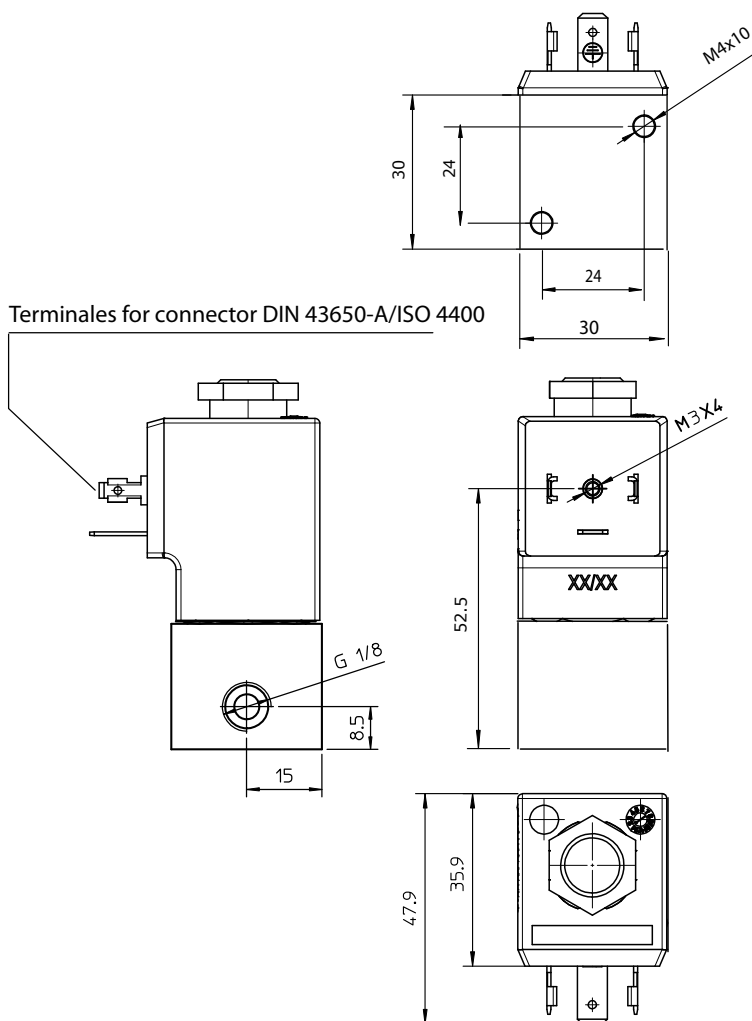
function	symbol	orif. mm	*Kv	pressure range (bar)			nominal power		TABLE A	
				min.	max. DC	max. AC	Watt DC	V.A. AC		main code
								inr.	hol	
2/2 normally open (NO) 	0.8	0.5	0	-	60	-	21.5	13.5	Q6B208	
	0.8	0.5	0	60	-	10	-	-	Q6B708	
	1.2	1.3	0	-	45	-	21.5	13.5	Q6B212	
	1.2	1.3	0	45	-	10	-	-	Q6B712	
	1.6	1.7	0	-	25	-	21.5	13.5	Q6B216	
	1.6	1.7	0	25	-	10	-	-	Q6B716	
	2.0	3.0	0	-	16	-	21.5	13.5	Q6B220	
	2.0	3.0	0	16	-	10	-	-	Q6B720	
	2.4	3.5	0	-	10	-	21.5	13.5	Q6B224	
	2.4	3.5	0	10	-	10	-	-	Q6B724	
	3.0	4.5	0	-	7	-	21.5	13.5	Q6B230	
	3.0	4.5	0	7	-	10	-	-	Q6B730	
	4.0	7.5	0	-	3.5	-	21.5	13.5	Q6B240	
	4.0	7.5	0	3.5	-	10	-	-	Q6B740	

*l/min. of water with ΔP of 1 bar

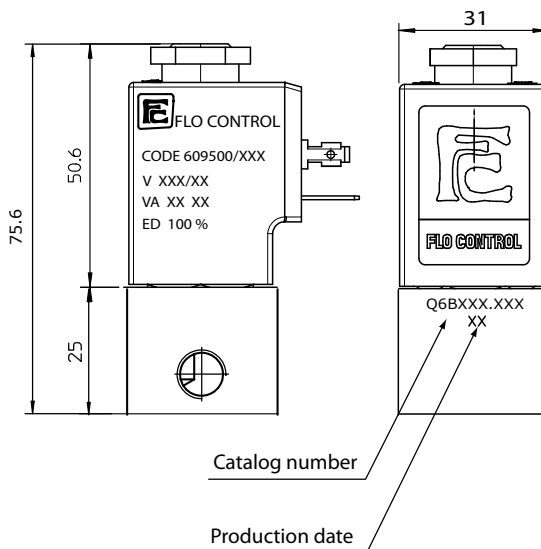


direct operated solenoid valves

coil 31 mm

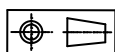


with push-magnet operator



Catalog number

Production date



weight	345 g
--------	-------

coil code	TABLE B			
	*voltages	code		
		~ 50 Hz	~ 60 Hz	= DC
	12	-	-	666
	24	611	644	671
	48	616	-	676
	110	621	-	681
	115	-	653	-
	220	631	-	-
	230	638	659	-
	380	640	-	-

coil specification	
wire insulation	class H180° C
encapsulation	class F155° C
encapsulation mat.	nylon
energising duration	100% at +20° C ambient
voltage tolerance	- 10% +15% of nominal voltage
*power consumption	AC 13,5 VA - DC 10 Watt
electrical connection	DIN 43650/A (2P+ earth)
cable connection	Pg 9 (for cable dia. 6-8mm)
protection class	IP 65 (with connector)

* other voltages and wattages on request

connector (not included, must be ordered separately)

code	Z10031
------	--------

FLO CONTROL

Solenoid Valves

