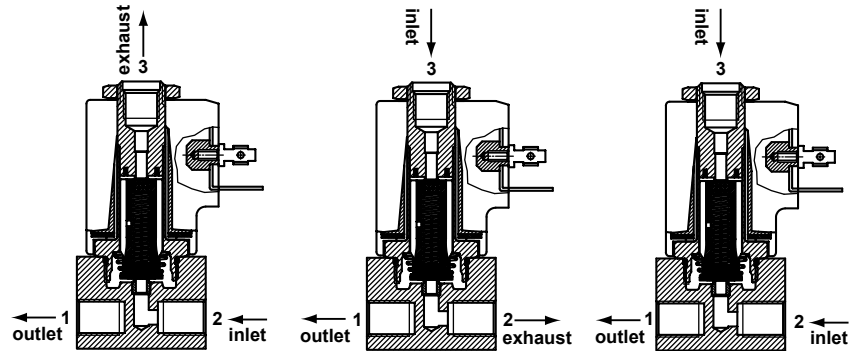


direct operated solenoid valves

coil 31 mm

Universal valves can be used in 3 different ways.  
As a normally closed, as a normally open or as selector valve.

| general information      |                  |
|--------------------------|------------------|
| ambient temperature      | - 10°C to + 50°C |
| response time            | 6 - 18 ms        |
| mounting                 | in any position  |
| standard seal materials* | NBR, FPM, EPDM   |
| dimensions               | see page 2/2     |
| coil data                | see page 2/2     |
| connector data           | see page 2/2     |



**NC**

**NO**

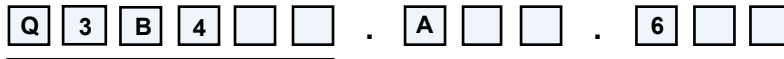
**SELECTOR**

\* other seal materials on request

| function                      | symbol | orif. mm | *Kv | pressure range (bar) |         |         | nominal power |                      | TABLE A<br>main code |
|-------------------------------|--------|----------|-----|----------------------|---------|---------|---------------|----------------------|----------------------|
|                               |        |          |     | min.                 | max. DC | max. AC | Watt DC       | V.A. AC<br>inr. hol. |                      |
| connected as 3/2 NC<br>       |        | 0.8      | 0.5 | 0                    | 18      | 18      | 10            | 21.5 13.5            | <b>Q3B408</b>        |
|                               |        | 1.2      | 1.1 | 0                    | 13      | 13      | 10            | 21.5 13.5            | <b>Q3B412</b>        |
| connected as 3/2 NO<br>       |        | 1.6      | 1.4 | 0                    | 9       | 9       | 10            | 21.5 13.5            | <b>Q3B416</b>        |
|                               |        | 2.4      | 3.0 | 0                    | 5       | 5       | 10            | 21.5 13.5            | <b>Q3B424</b>        |
| connected as 3/2 selector<br> |        | 3.0      | 3.5 | 0                    | 3.5     | 3.5     | 10            | 21.5 13.5            | <b>Q3B430</b>        |

\*l/min. of water with ΔP of 1 bar

**order code**



| main code                |
|--------------------------|
| see table A on this page |

| seals    |          |
|----------|----------|
| code     | material |
| <b>B</b> | NBR      |
| <b>V</b> | FPM      |
| <b>E</b> | EPDM     |

| manual override |             |
|-----------------|-------------|
| code            | type        |
| <b>0</b>        | none        |
| <b>1</b>        | brass screw |
| <b>2</b>        | palm button |
| <b>3</b>        | push button |

| coil code               |
|-------------------------|
| see table B on page 2/2 |

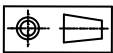
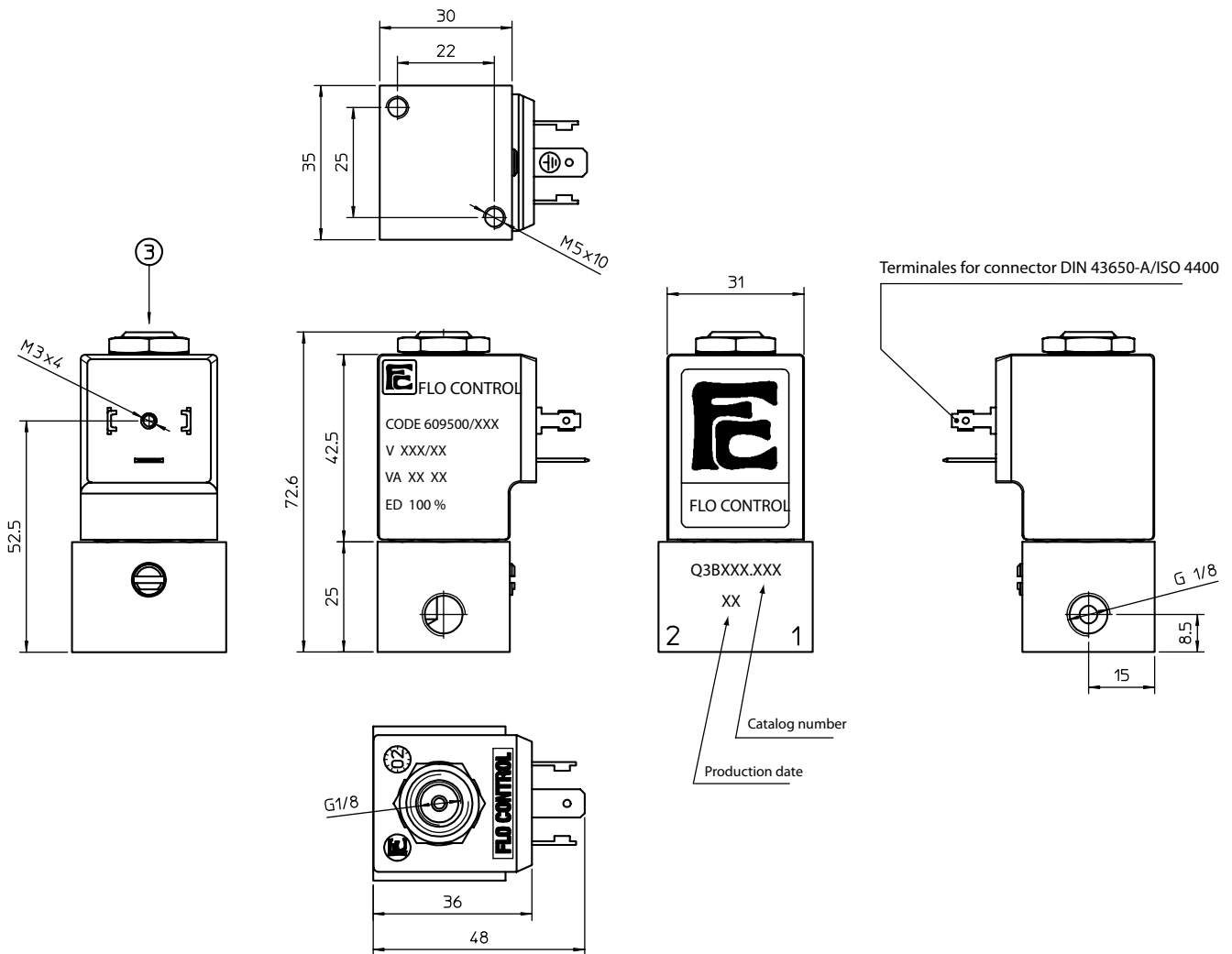
**FLO CONTROL**

Solenoid Valves

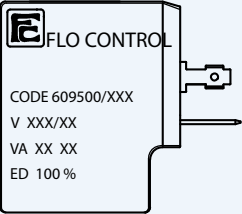


direct operated solenoid valves

coil 31 mm



|        |       |
|--------|-------|
| weight | 220 g |
|--------|-------|

| coil code   | TABLE B   |         |         |      |
|---|-----------|---------|---------|------|
|   | *voltages | code    |         |      |
|   |           | ~ 50 Hz | ~ 60 Hz | = DC |
|  <p>CODE 609500/XXX<br/>V XXX/XX<br/>VA XX XX<br/>ED 100 %</p> | 12        | -       | -       | 666  |
|   | 24        | 611     | 644     | 671  |
|   | 48        | 616     | -       | 676  |
|   | 110       | 621     | -       | 681  |
|   | 115       | -       | 653     | -    |
|   | 220       | 631     | -       | -    |
|   | 230       | 638     | 659     | -    |
|   | 380       | 640     | -       | -    |

| coil specification    |                               |
|-----------------------|-------------------------------|
| wire insulation       | class H180° C                 |
| encapsulation         | class F155° C                 |
| encapsulation mat.    | nylon                         |
| energising duration   | 100% at +20° C ambient        |
| voltage tolerance     | - 10% +15% of nominal voltage |
| *power consumption    | AC 13,5 VA - DC 10 Watt       |
| electrical connection | DIN 43650/A (2P+ earth)       |
| cable connection      | Pg 9 (for cable dia. 6-8mm)   |
| protection class      | IP 65 (with connector )       |

\* other voltages and wattages on request

connector (not included, must be ordered separately)

|      |        |
|------|--------|
| code | Z10031 |
|------|--------|

FLO CONTROL

Solenoid Valves

