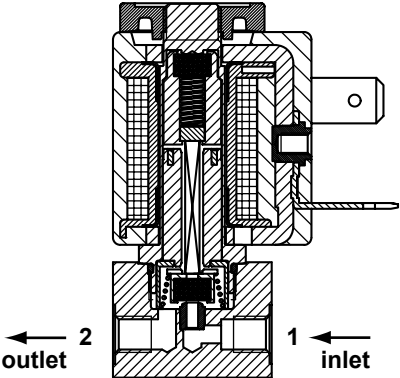


direct operated solenoid valves

coil 22 mm

general information	
ambient temperature	- 10°C to + 50°C
response time	5- 8 ms
mounting	in any position
standard seal materials*	NBR, FPM, EPDM*
dimensions	see page 2/3 and 3/3
coil data	see page 2/3 and 3/3
connector data	see page 2/3

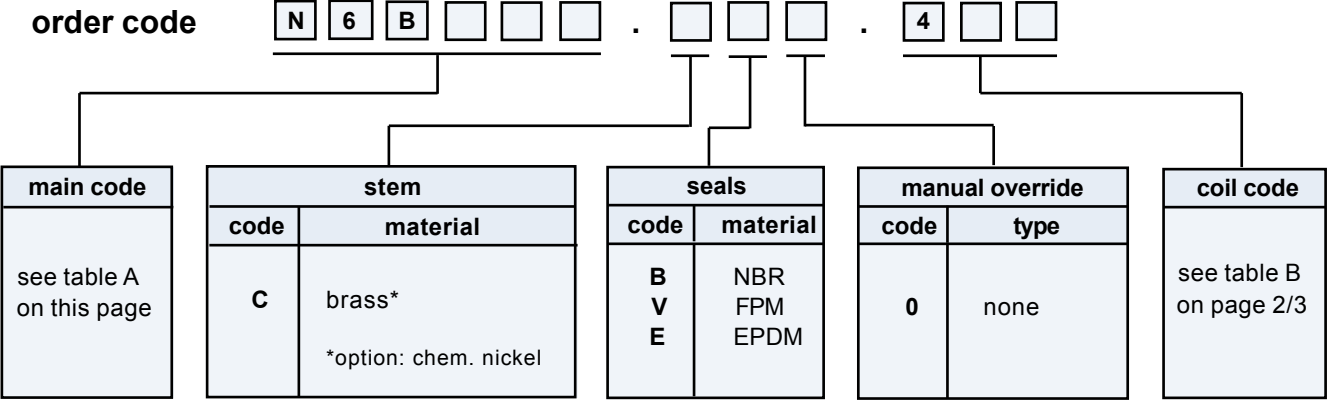


NO

* other seal materials on request

function	symbol	orifice mm	*Kv	pressure range (bar)			nominal power		TABLE A	
				min.	max. DC	max. AC	Watt DC	V.A. AC		main code
								inr.	hol.	
2/2 normally open (NO) 		1.2	0.5	0	-	13	-	9	7.5	N6B212
		1.2	0.5	0	13	-	5	-	-	N6B712
		1.6	1.1	0	-	10	-	9	7.5	N6B216
		1.6	1.1	0	10	-	5	-	-	N6B716
		2.0	1.5	0	-	7	-	9	7.5	N6B220
		2.0	1.5	0	7	-	5	-	-	N6B720
		2.4	2.0	0	-	5	-	9	7.5	N6B224
		2.4	2.0	0	5	-	5	-	-	N6B724
		3.0	2.4	0	-	2	-	9	7.5	N6B230
		3.0	2.4	0	2	-	5	-	-	N6B730

*l/min. of water with ΔP of 1 bar

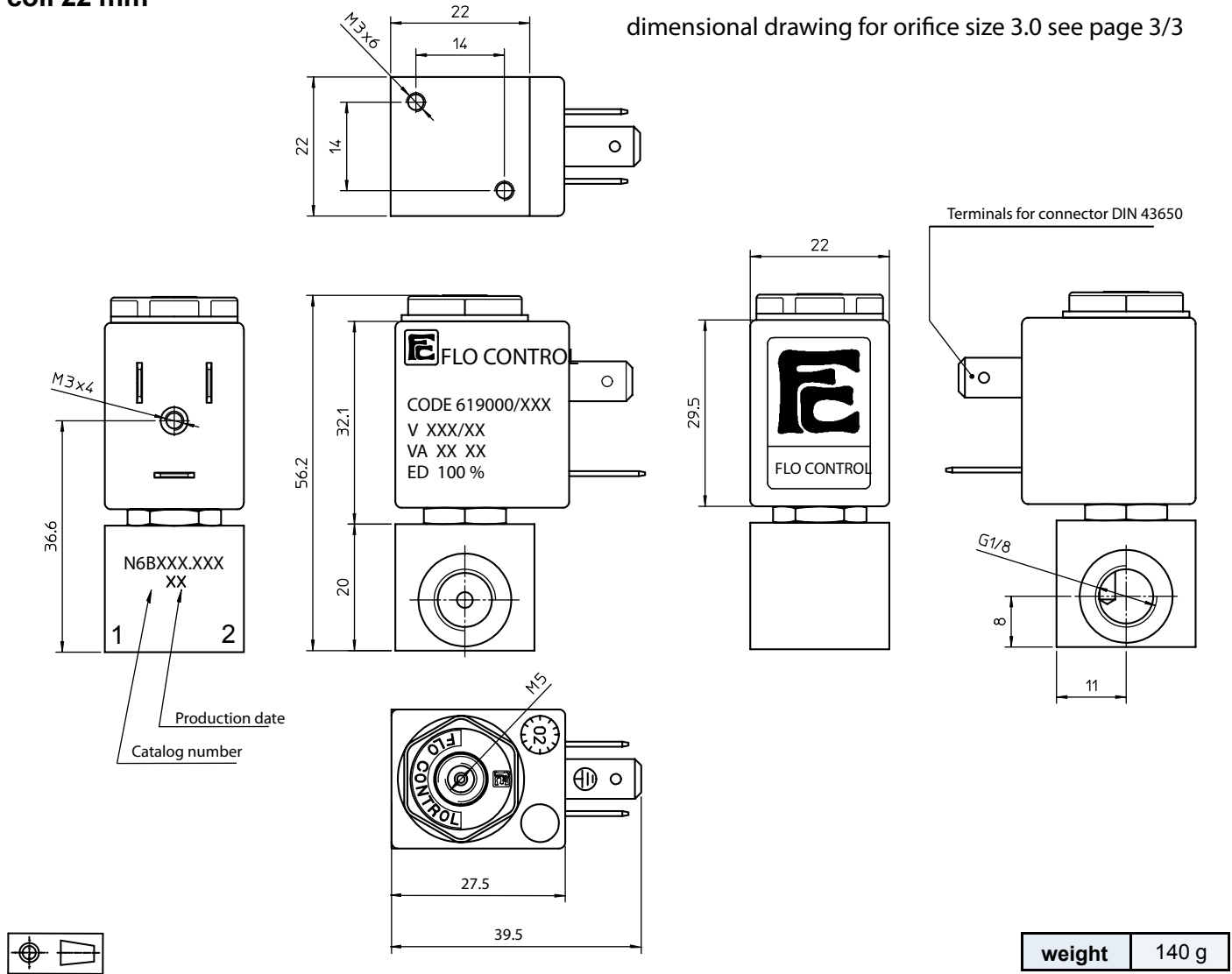


direct operated solenoid valves

coil 22 mm

dimensional drawings for orifice size 1.2 - 1.6 - 2.0 and 2.4

dimensional drawing for orifice size 3.0 see page 3/3



weight 140 g

coil code	TABLE B			
	*voltages	code		
		~ 50 Hz	~ 60 Hz	= DC
	6	-	-	461
	12	-	-	466
	24	411	444	471
	48	416	-	476
	110	421	-	481
	115	-	453	-
	220	431	-	491
	230	457	459	-

coil specification	
wire insulation	class H180° C
encapsulation	class F155° C
encapsulation mat.	nylon
energising duration	100% at +20° C ambient
voltage tolerance	- 10% to +15% of nominal voltage
power consumption	AC 7,5 VA - DC 5 Watt
electrical connection	DIN 43650/B (2P+ earth)
cable connection	Pg 9 (for cable dia. 6-8mm)
protection class	IP 65 (with connector)

* other voltages and wattages on request

connector (not included, must be ordered separately)

code Z10030

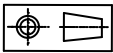
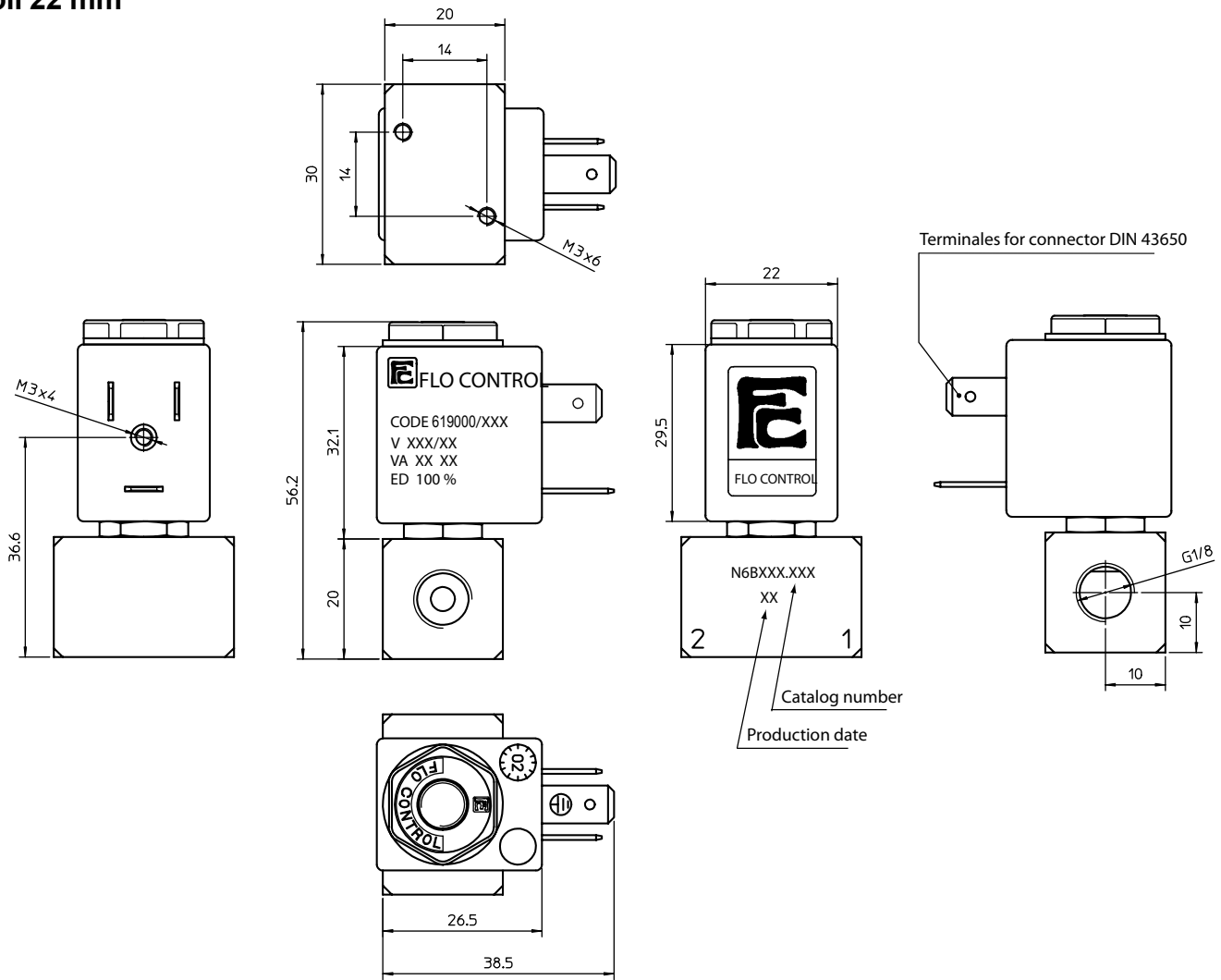
FLO CONTROL

Solenoid Valves



direct operated solenoid valves
coil 22 mm

Dimensional drawing for body with orifice size 3.0 only.



weight	160 g
---------------	-------

coil code	TABLE B			
	*voltages	code		
		~ 50 Hz	~ 60 Hz	= DC
	6	-	-	461
	12	-	-	466
	24	411	444	471
	48	416	-	476
	110	421	-	481
	115	-	453	-
	220	431	-	491
	230	457	459	-

coil specification	
wire insulation	class H180° C
encapsulation	class F155° C
encapsulation mat.	nylon
energising duration	100% at +20° C ambient
voltage tolerance	- 10% to +15% of nominal voltage
power consumption	AC 7,5 VA - DC 5 Watt
electrical connection	DIN 43650/B (2P+ earth)
cable connection	Pg 9 (for cable dia. 6-8mm)
protection class	IP 65 (with connector)

* other voltages and wattages on request

connector (not included, must be ordered separately)

code	Z10030
-------------	--------

FLO CONTROL
Solenoid Valves

