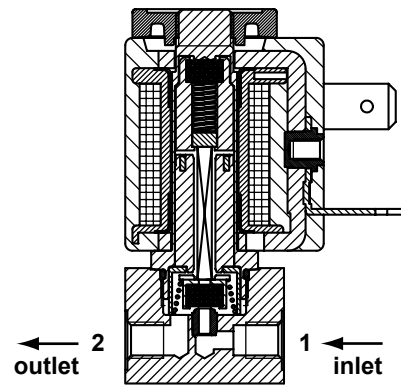


direct operated solenoid valves

coil 22 mm

general information	
ambient temperature	- 10°C to + 50°C
response time	5- 8 ms
mounting	in any position
standard seal materials*	NBR, FPM, EPDM*
dimensions	see page 2/2
coil data	see page 2/2
connector data	see page 2/2

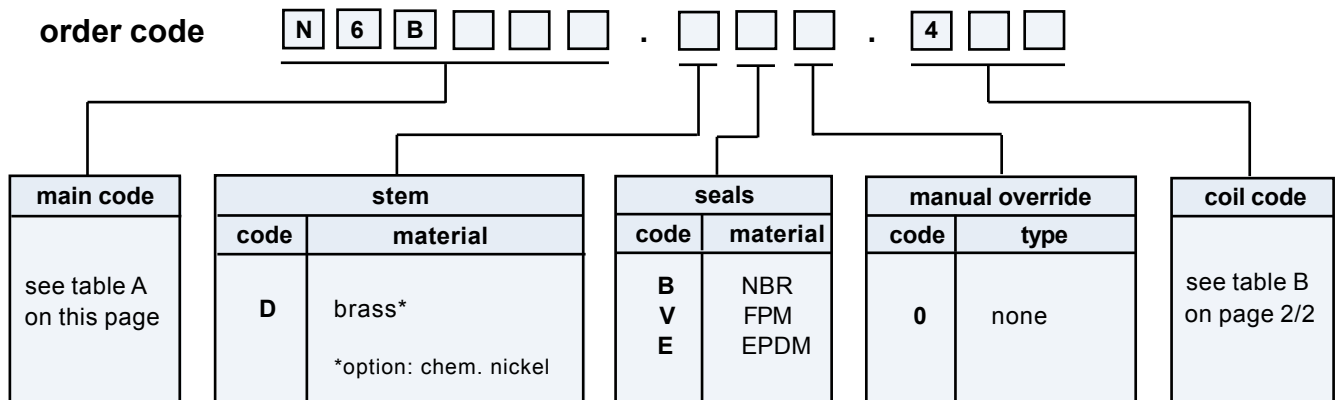


NO

* other seal materials on request

function	symbol	orifice mm	*Kv	pressure range (bar)			nominal power		TABLE A	
				min.	max. DC	max. AC	Watt DC	V.A. AC		main code
								inr.	hol.	
2/2 normally open (NO) 		1.2	0.5	0	-	13	-	9	7.5	N6B212
		1.2	0.5	0	13	-	5	-	-	N6B712
		1.6	1.1	0	-	10	-	9	7.5	N6B216
		1.6	1.1	0	10	-	5	-	-	N6B716
		2.0	1.5	0	-	7	-	9	7.5	N6B220
		2.0	1.5	0	7	-	5	-	-	N6B720
		2.4	2.0	0	-	5	-	9	7.5	N6B224
		2.4	2.0	0	5	-	5	-	-	N6B724

*l/min. of water with ΔP of 1 bar



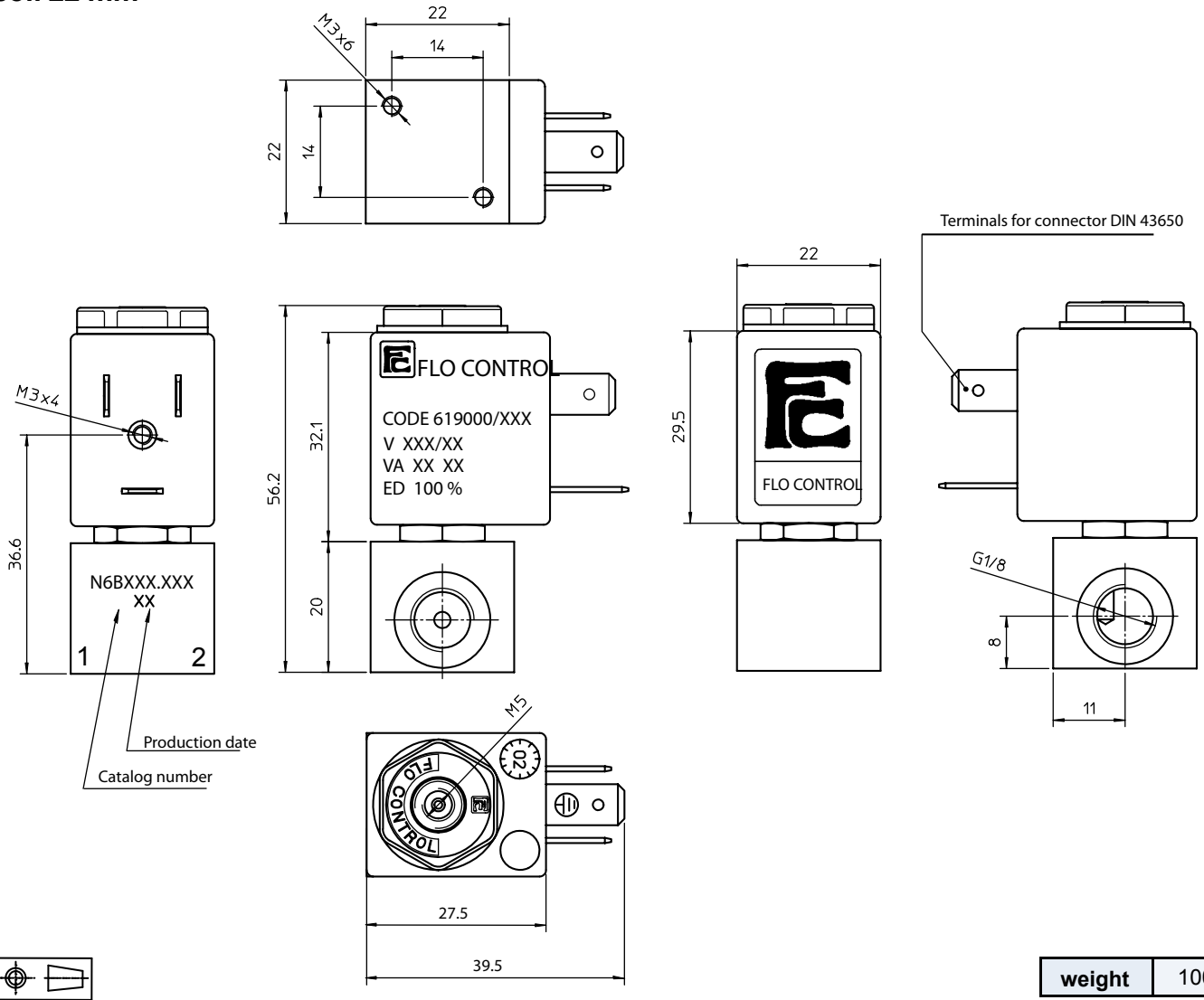
FLO CONTROL

Solenoid Valves



direct operated solenoid valves

coil 22 mm



weight 100 g

coil code	TABLE B			
	*voltages	code		
		~ 50 Hz	~ 60 Hz	= DC
6	-	-	461	
12	-	-	466	
24	411	444	471	
48	416	-	476	
110	421	-	481	
115	-	453	-	
220	431	-	491	
230	457	459	-	

coil specification	
wire insulation	class H180° C
encapsulation	class F155° C
encapsulation mat.	nylon
energising duration	100% at +20° C ambient
voltage tolerance	- 10% to +15% of nominal voltage
power consumption	AC 7,5 VA - DC 5 Watt
electrical connection	DIN 43650/B (2P+ earth)
cable connection	Pg 9 (for cable dia. 6-8mm)
protection class	IP 65 (with connector)

* other voltages and wattages on request

connector (not included, must be ordered separately)

code Z10030

FLO CONTROL

Solenoid Valves

