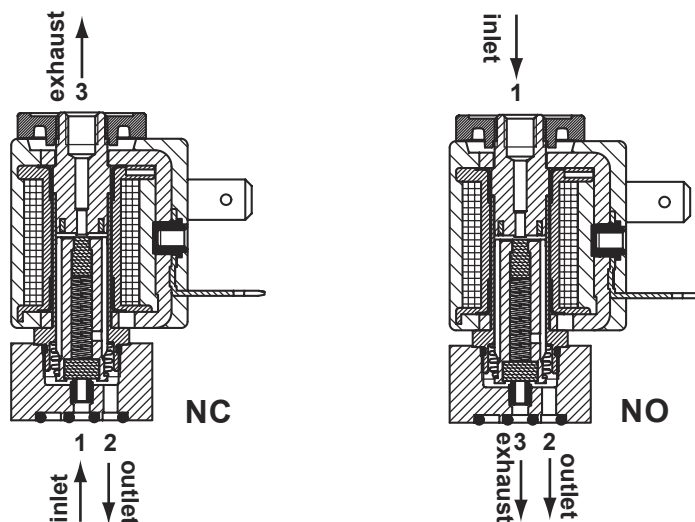


direct operated solenoid valves

coil 22 mm

general information	
ambient temperature	- 10°C to + 50°C
response time	5 - 8 ms
mounting	in any position
seal materials, standard*	NBR, FPM, EPDM, PTFE*
dimensions	see page 2/4, 3/4 and 4/4
coil data	see page 2/4
connector data	see page 2/4
sub-base	see page 3/4 and 4/4



* other seal materials on request

function	symbol	orifice mm	*Kv	pressure range (bar)			nominal power		TABLE A main code	
				min.	max. DC	max. AC	Watt DC	V.A. AC inr. hol.		
3/2 normally closed (NC) 		1.2	0.5	0	-	10	-	9	7.5	N3P112
		1.2	0.5	0	10	-	5	-	-	N3P612
		1.6	1.1	0	-	7	-	9	7.5	N3P116
		1.6	1.1	0	7	-	5	-	-	N3P616
3/2 normally open (NO) 		1.2	0.5	0	-	10	-	9	7.5	N3P212
		1.2	0.5	0	10	-	5	-	-	N3P712
		1.6	1.1	0	-	7	-	9	7.5	N3P216
		1.6	1.1	0	7	-	5	-	-	N3P716

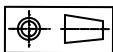
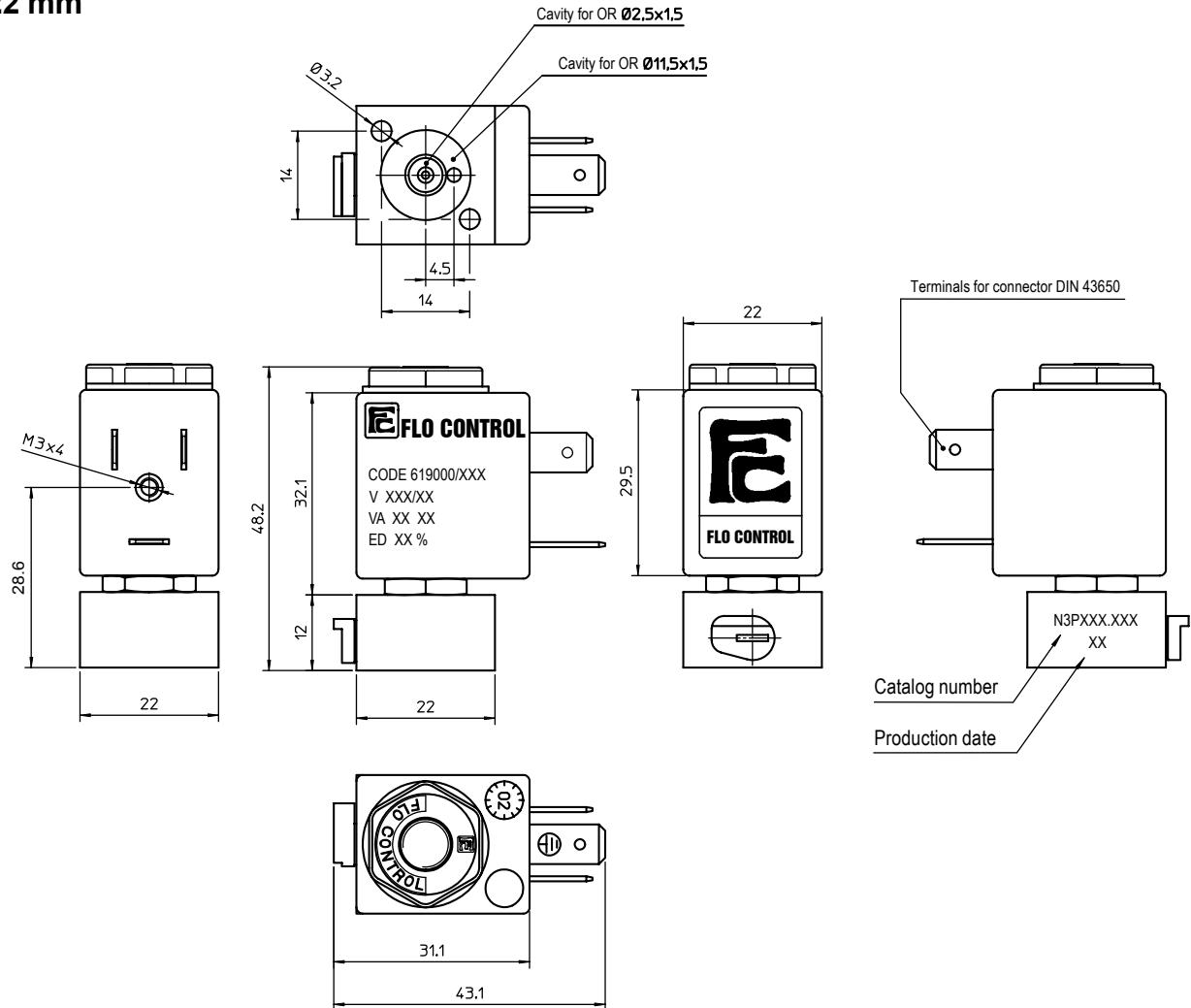
*l/min. of water with ΔP of 1 bar

order code **N** **3** **P** . . **4**

main code see table A on this page	stem		seals		manual override		coil code see table B on page 2/4
	code B C	material stainless AISI 303 brass* *option: chem. nickel	code B V E T	material NBR FPM EPDM PTFE	code 0 1 4	type none brass screw plastic lever	

direct operated solenoid valves

coil 22 mm



weight	110 g
---------------	-------

coil code	TABLE B			
	*voltages	code		
		~ 50 Hz	~ 60 Hz	= DC
	6	-	-	461
	12	-	-	466
	24	411	444	471
	48	416	-	476
	110	421	-	481
	115	-	453	-
	220	431	-	491
	230	457	459	-

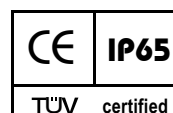
coil specification	
wire insulation	class H180° C
encapsulation	class F155° C
encapsulation mat.	nylon
energising duration	100% at +20° C ambient
voltage tolerance	- 10% to +15% of nominal voltage
power consumption	AC 7,5 VA - DC 5 Watt
electrical connection	DIN 43650/B (2P+ earth)
cable connection	Pg 9 (for cable dia. 6-8mm)
protection class	IP 65 (with connector)

* other voltages and wattages on request

connector (not included, must be ordered separately)

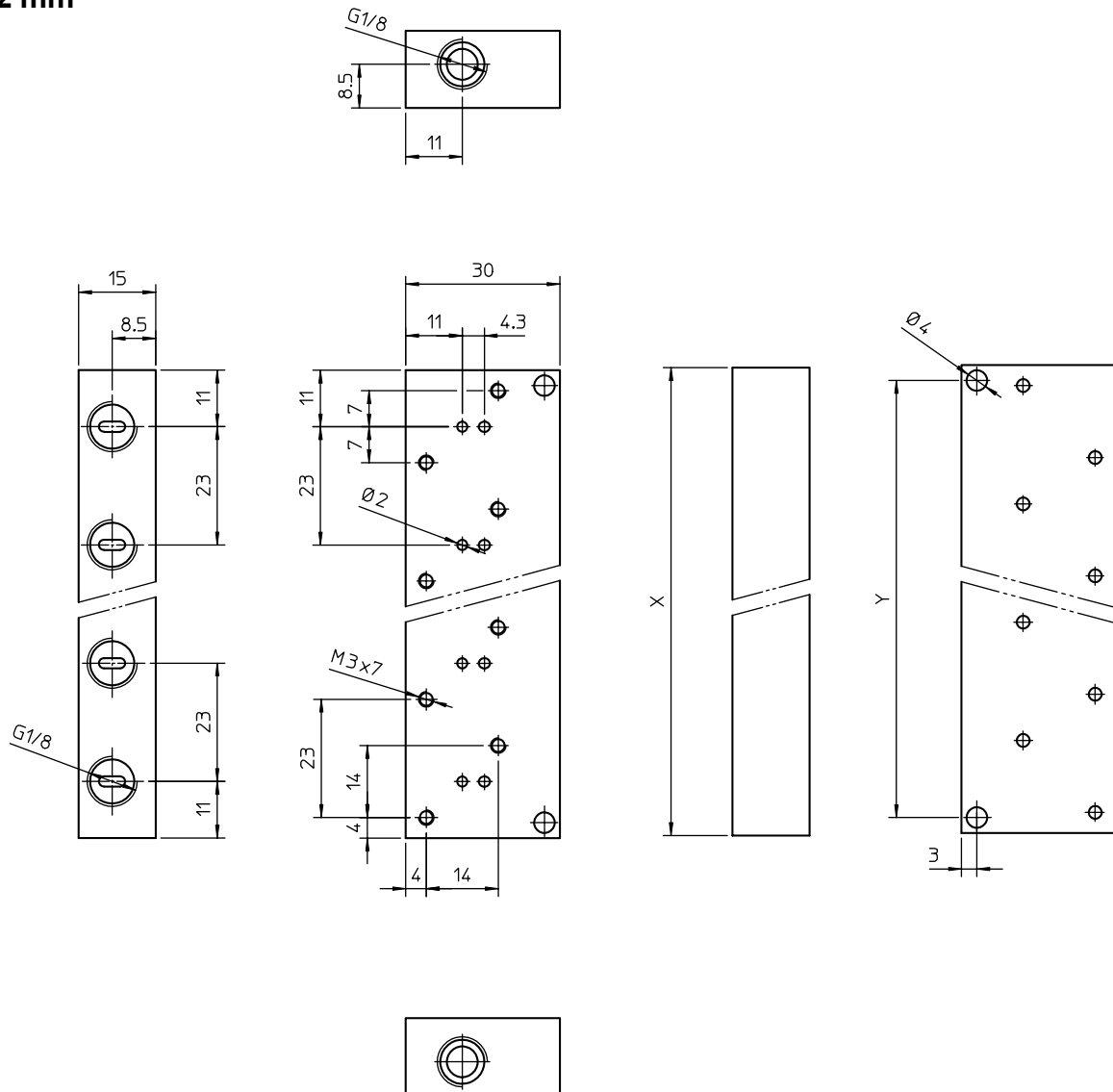
code	Z10030
-------------	--------

FLO CONTROL
Solenoid Valves



direct operated solenoid valves

coil 22 mm



order code	stations	X (mm)	Y (mm)	weight (g)
ZZ11.B1.38B	1	22	16	65
ZZ11.B2.38B	2	45	39	132
ZZ11.B3.38B	3	68	62	210
ZZ11.B4.38B	4	91	85	280
ZZ11.B5.38B	5	114	108	350
ZZ11.B6.38B	6	137	131	430

-M3 screws order code Z11010 (two each valves station) must be ordered separately

