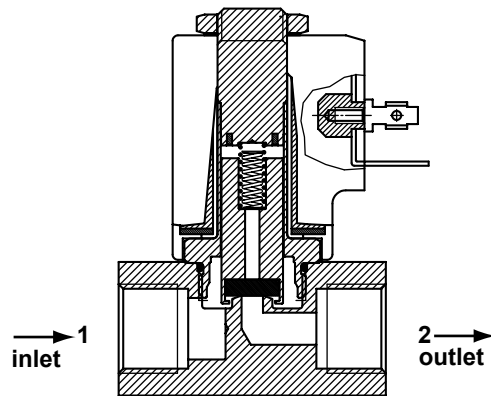


direct operated solenoid valves

coil 31 mm

general information	
ambient temperature	- 10°C to + 50°C
response time	6- 18 ms
mounting	in any position
standard seal materials*	NBR, FPM
dimensions	see page 2/2
coil data	see page 2/2
connector data	see page 2/2



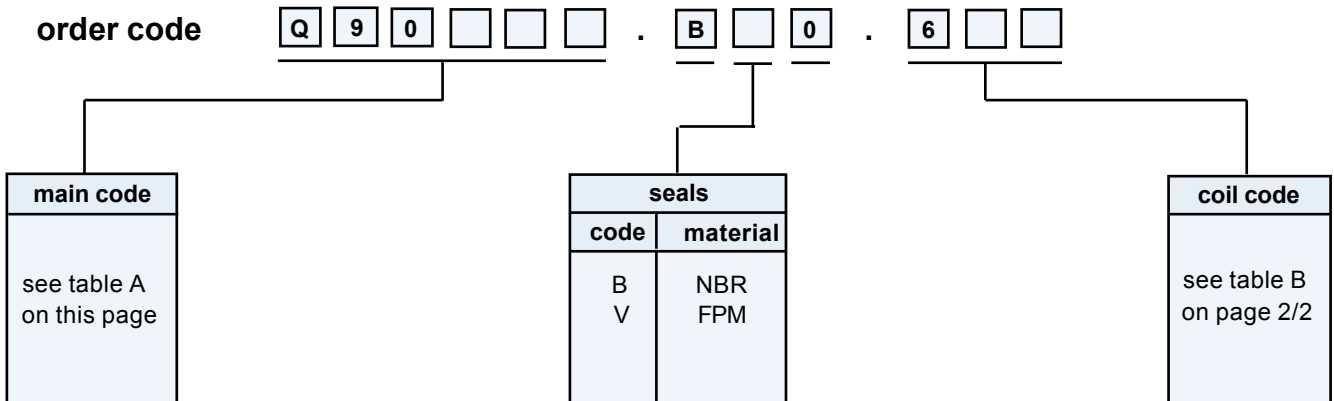
**NC**

\* other seal materials on request

function	symbol	port size	orif. mm	*Kv	pressure range (bar)			nominal power		TABLE A
					min.	max. DC	max. AC	Watt DC	V.A. AC	main code
<b>2/2 normally closed (NC)</b> 	G1/4	4.0	7.5	0	8	17	10	19	<b>Q90212</b>	
	**1/4	4.0	7.5	0	8	17	10	19	<b>Q90211</b>	
	G3/8	4.0	7.5	0	8	17	10	19	<b>Q90060</b>	
	**3/8	4.0	7.5	0	8	17	10	19	<b>Q90214</b>	
	G1/2	4.0	7.5	0	8	17	10	19	<b>Q90231</b>	
	**1/2	4.0	7.5	0	8	17	10	19	<b>Q90278</b>	

\*l/min. of water with ΔP of 1 bar

\*\* NPT



**FLO CONTROL**  
Solenoid Valves



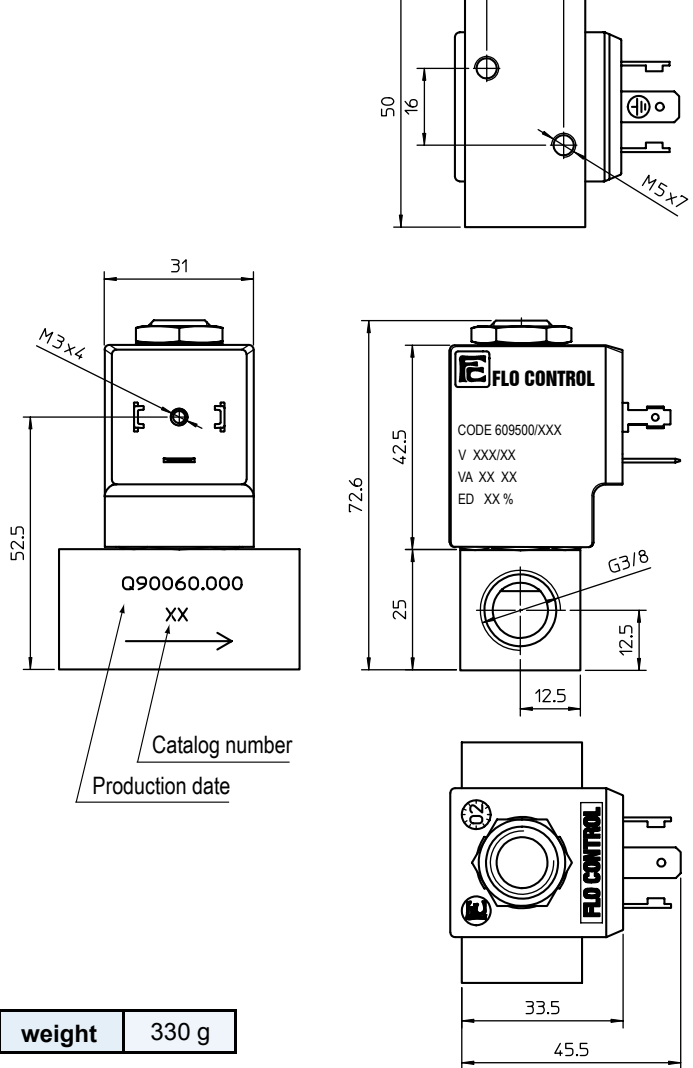
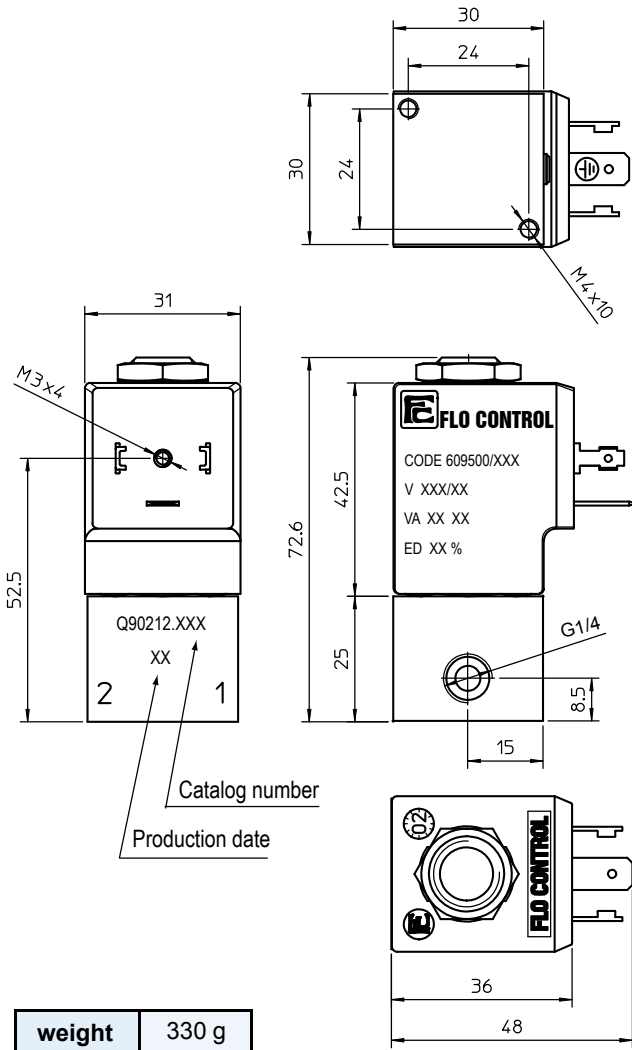
direct operated solenoid valves

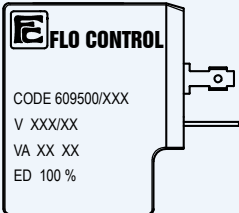
drawings for 1/2 on request

coil 31 mm

G1/4

G3/8



coil code	TABLE B			
	*voltages	code		
		~ 50 Hz	~ 60 Hz	= DC
 <p>CODE 609500/XXX V XXX/XX VA XX XX ED 100 %</p>	12	-	-	666
	24	-	646	671
	48	-	-	676
	110	624	-	681
	115	-	655	-
	220	633	658	-
	230	637	660	-
	240	636	-	-

coil specification	
wire insulation	class H180° C
encapsulation	class F155° C
encapsulation mat.	nylon
energising duration	AC 25% at +20° C amb. DC 100% at +20° C amb.
voltage tolerance	- 10% +15%
power consumption	AC 19 VA - DC 10 Watt
electrical connection	DIN 43650/A (2P+ earth)
cable connection	Pg 9 (for cable dia. 6-8mm)
protection class	IP 65 (with connector)

\* other voltages and wattages on request

connector (not included, must be ordered separately)

code Z10031

**FLO CONTROL**  
Solenoid Valves

