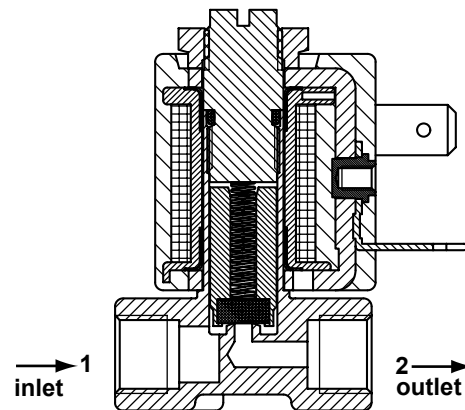


direct operated solenoid valves

coil 22 mm

general information	
ambient temperature	- 10°C to + 50°C
response time	5- 8 ms
mounting	in any position
standard seal materials*	NBR, FPM, EPDM*
dimensions	see page 2/2
coil data	see page 2/2
connector data	see page 2/2

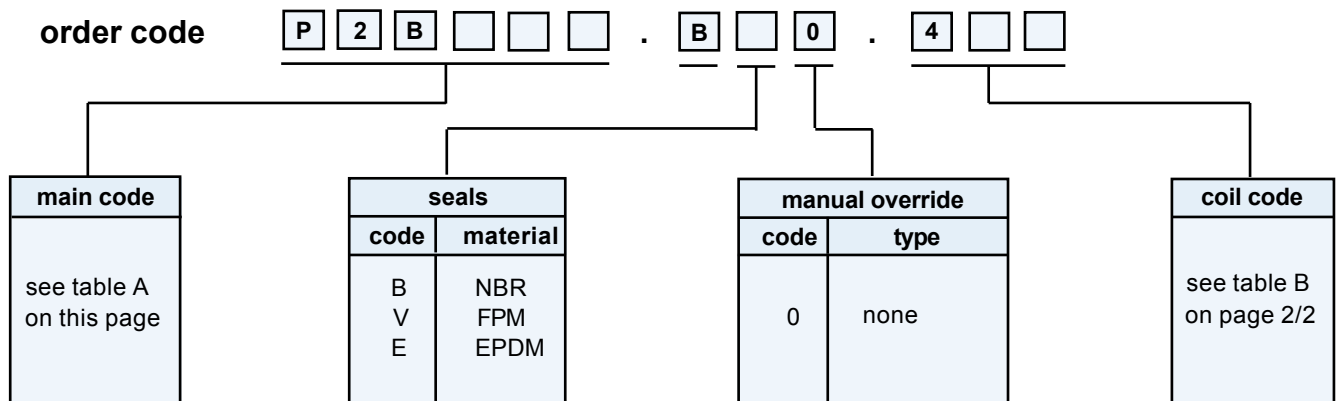


NC

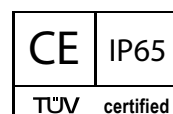
* other seal materials on request

function	symbol	orifice mm	*Kv	pressure range (bar)			nominal power		TABLE A main code		
				min.	max. DC	max. AC	Watt DC	V.A. AC			
								inr.		hol.	
2/2 normally closed (NC) 		1.7	1.1	0		18		9	7.5	P2B117	
		1.7	1.1	0	9		6			P2B617	
		2.2	2.0	0		9		9	7.5	P2B122	
		2.2	2.0	0	5		6			P2B622	
		3.0	3.4	0		6		9	7.5	P2B130	
		3.0	3.4	0	3		6			P2B630	

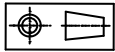
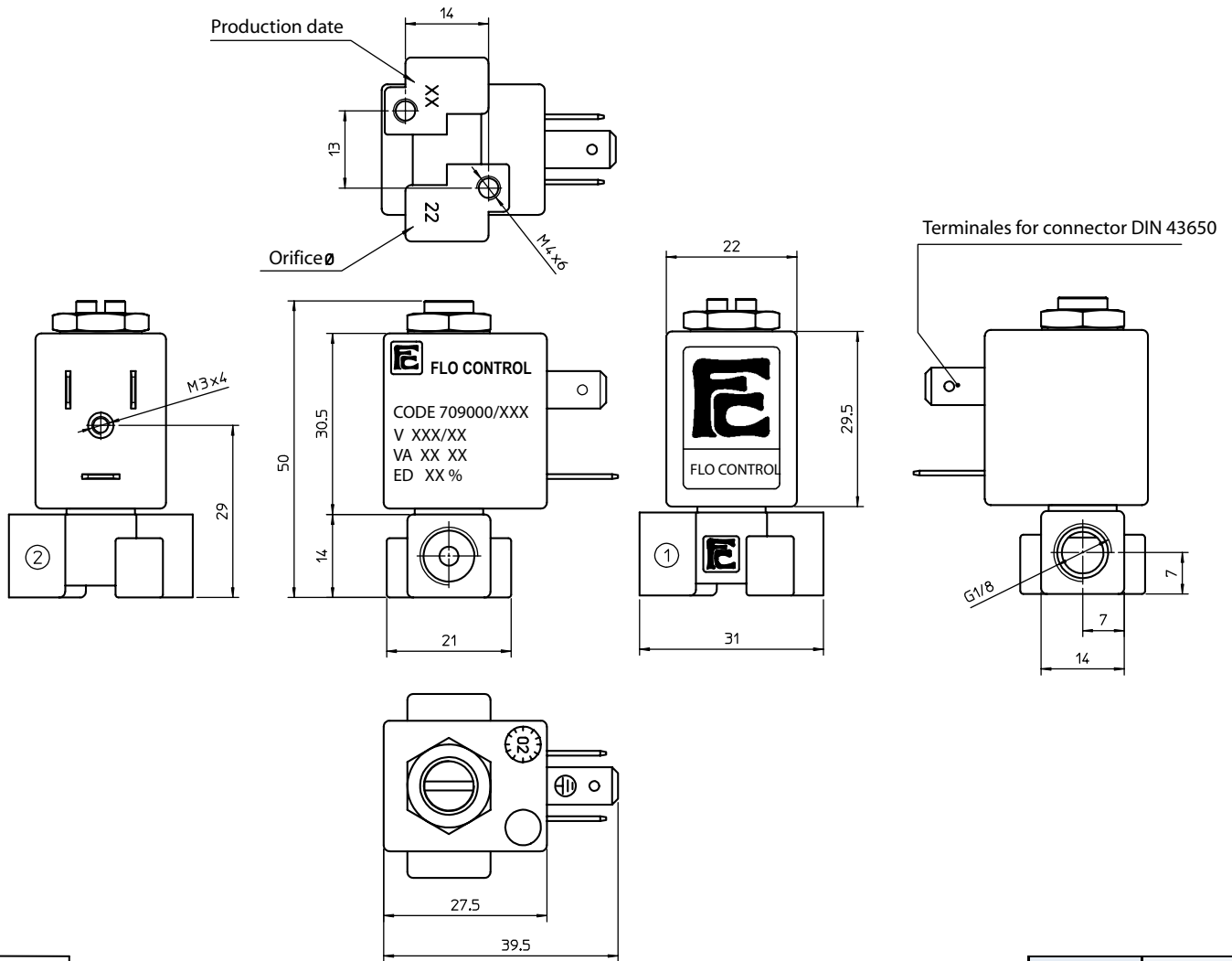
*l/min. of water with ΔP of 1 bar



FLO CONTROL
Solenoid Valves



direct operated solenoid valves
coil 22 mm



weight 120 g

coil code	TABLE B			
	*voltages	code		
		~ 50 Hz	~ 60 Hz	= DC
	6	-	-	-
	12	-	-	166
	24	111	144	171
	48	-	-	-
	110	121	-	181
	115	-	153	-
	220	131	-	-
	230	157	159	-

coil specification	
wire insulation	class H180° C
encapsulation	class F155° C
encapsulation mat.	nylon
energising duration	100% at +20° C ambient
voltage tolerance	- 10% to +15% of nominal voltage
power consumption	AC 7,5 VA - DC 6 Watt
electrical connection	DIN 43650/B (2P+ earth)
cable connection	Pg 9 (for cable dia. 6-8mm)
protection class	IP 65 (with connector)

* other voltages and wattages on request

connector (not included, must be ordered separately)

code Z10030

FLO CONTROL
Solenoid Valves

